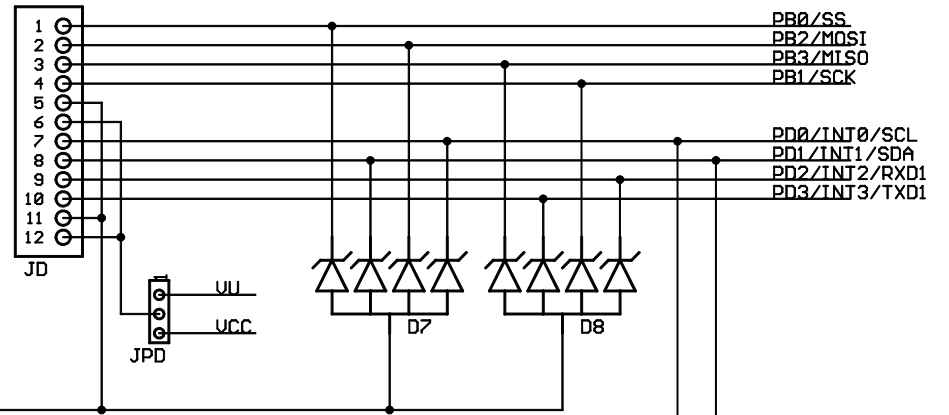
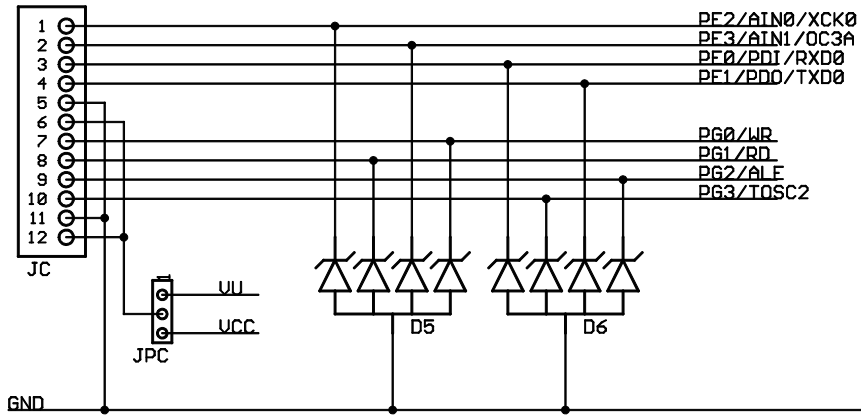
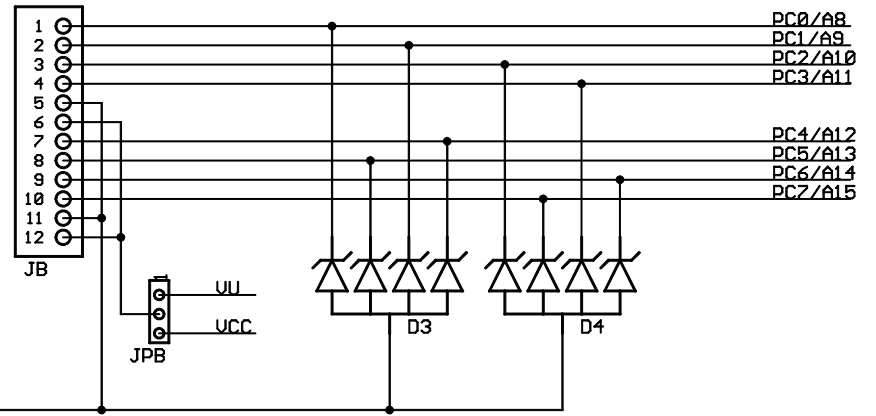
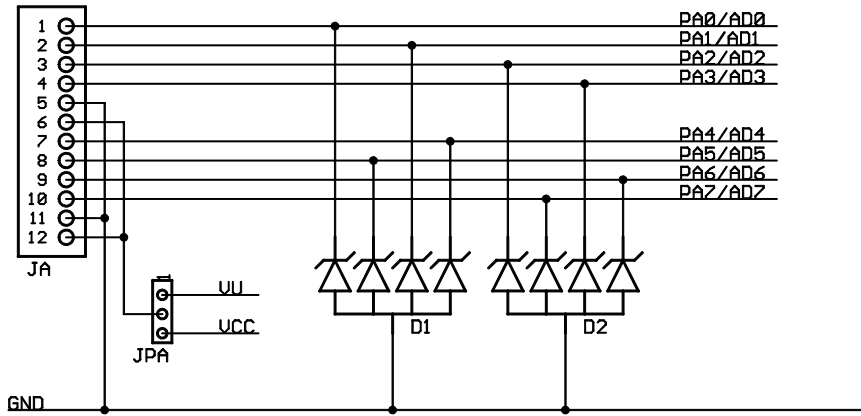
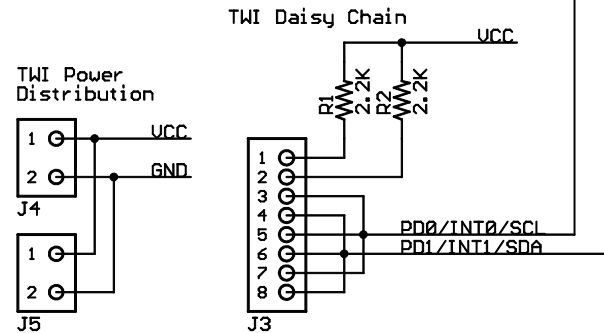
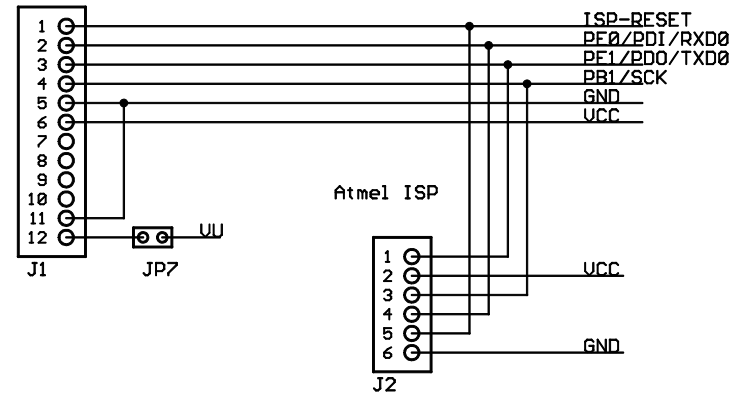


PMOD Connectors



Digilent ISP



Digilent Inc.

Digilent Cerebot II

Copyright 2007, Digilent Inc.

Engineer: NEA

SHEET: Interface Connectors

Author: NEA

TITLE: Cerebot II

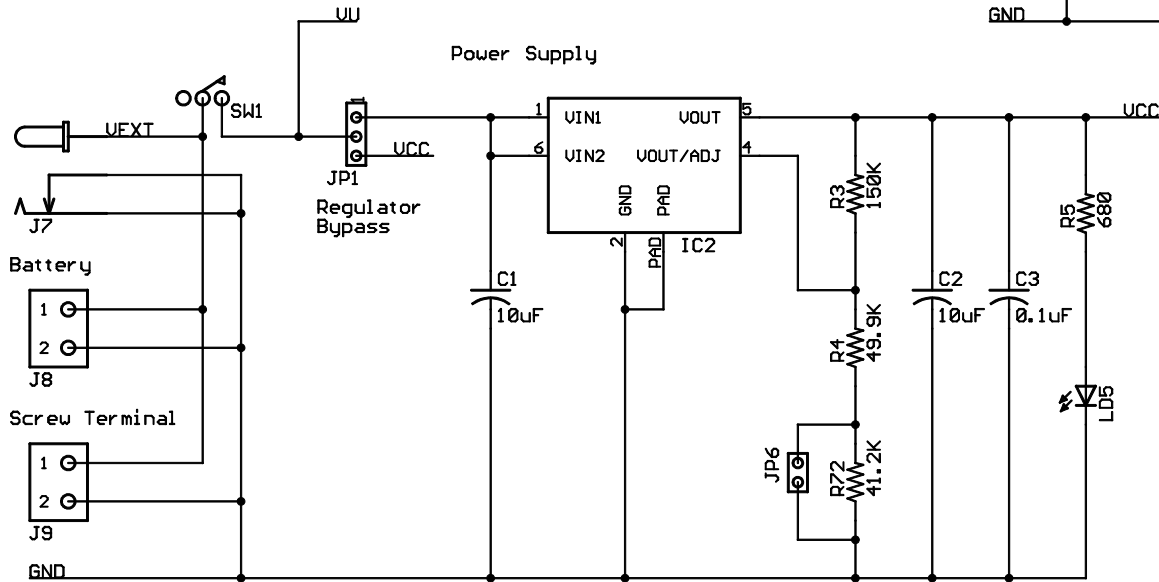
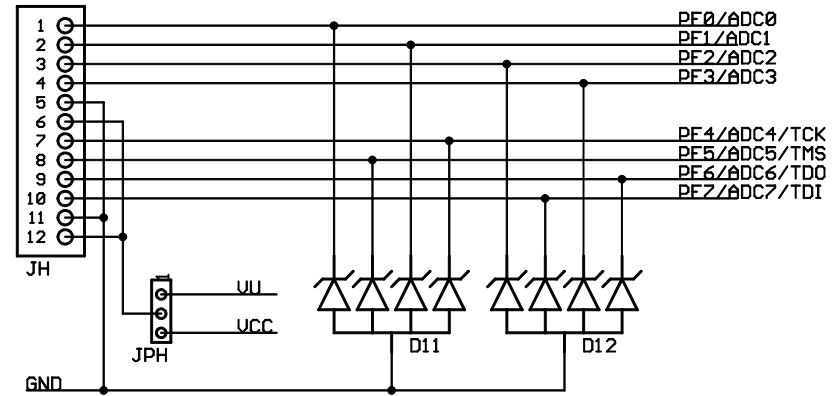
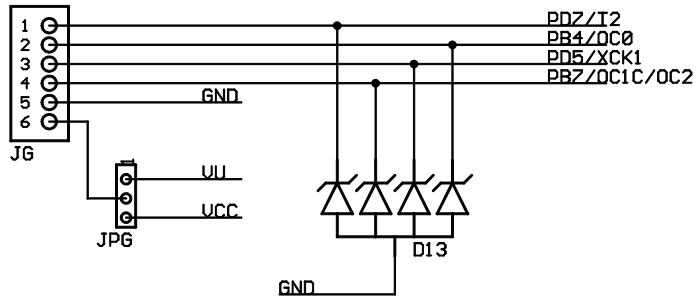
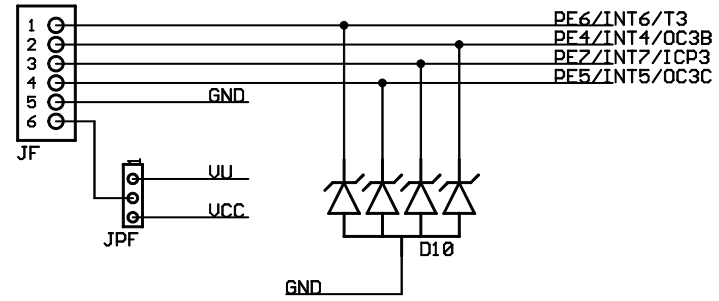
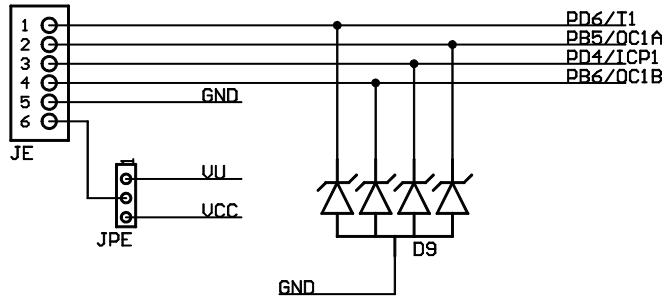
Rev: C

Doc#: 500-128

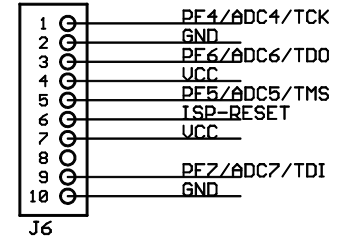
Date: 07/25/2007

Sheet: 1/4

PMOD Connectors



JTAG ICE-MKII Connector



Note 1: JP6 not loaded
For 5V operation, Load jumper and install shorting block on JP6.

Digilent Cerebot II

Copyright 2007, Digilent Inc.

Engineer: NEA

SHEET: Interface Connectors & Power Supply

Author: NEA

TITLE: Cerebot II

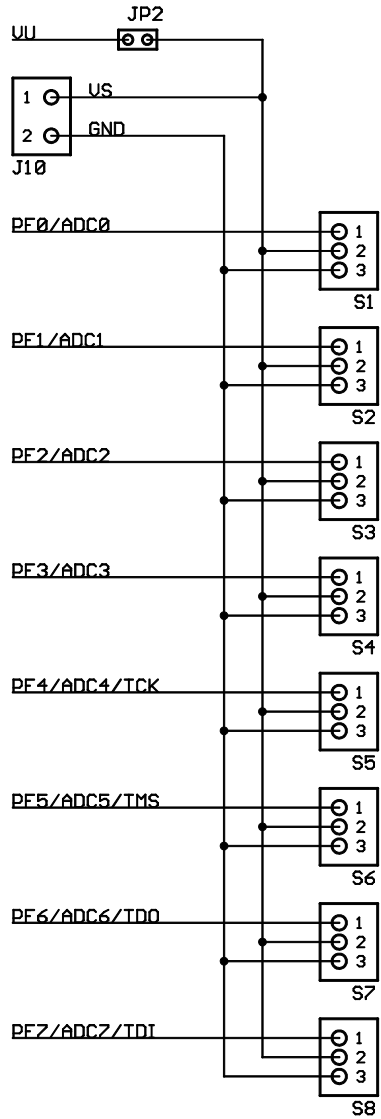
Rev: C

Doc#: 500-128

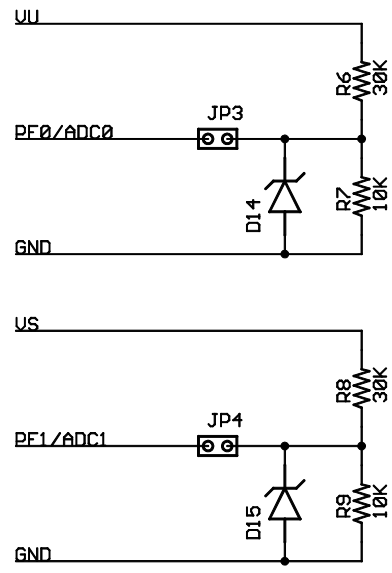
Date: 07/25/2007

Sheet: 2/4

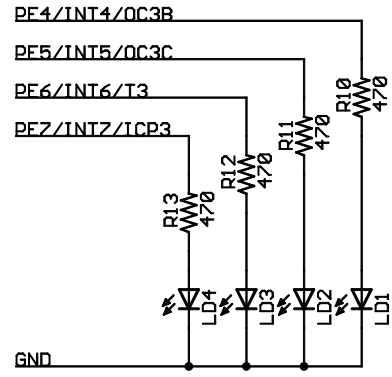
Servo Connectors



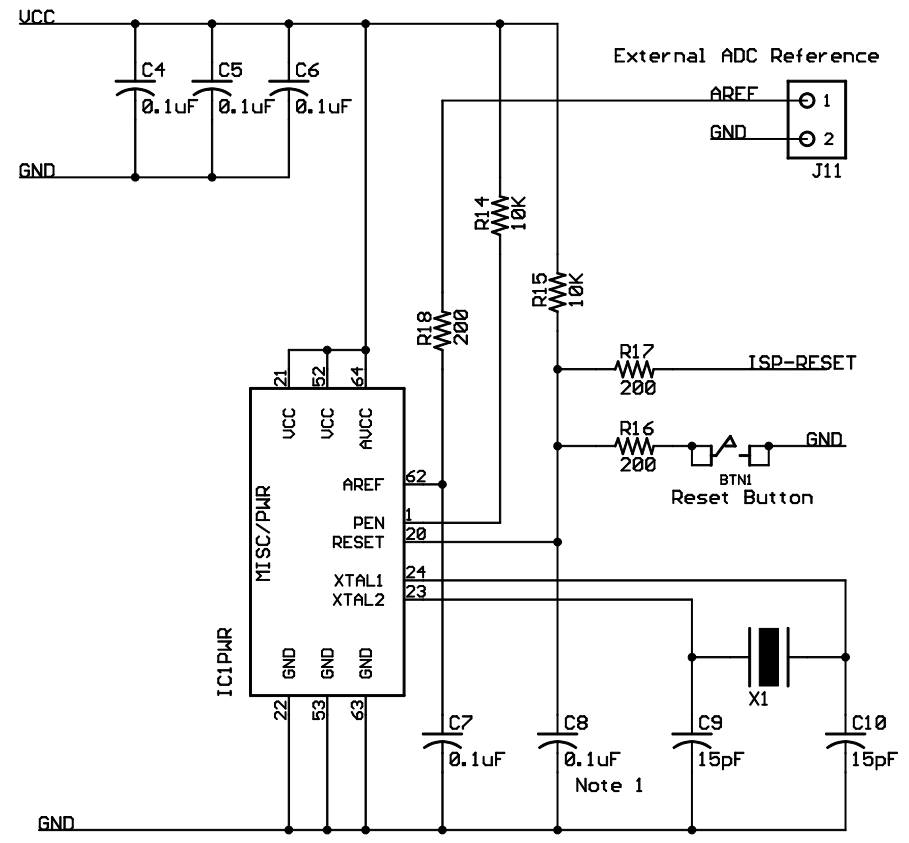
Power Supply Monitor



User LEDs



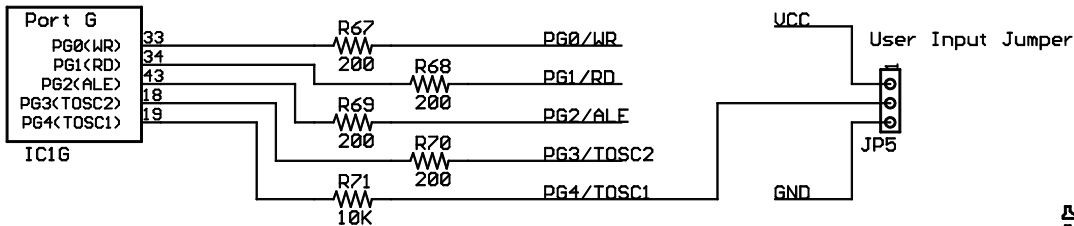
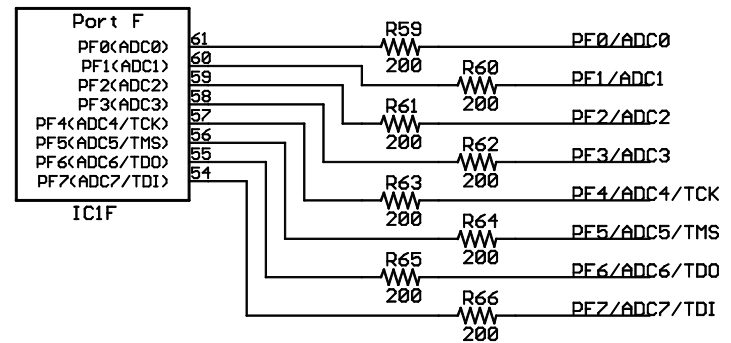
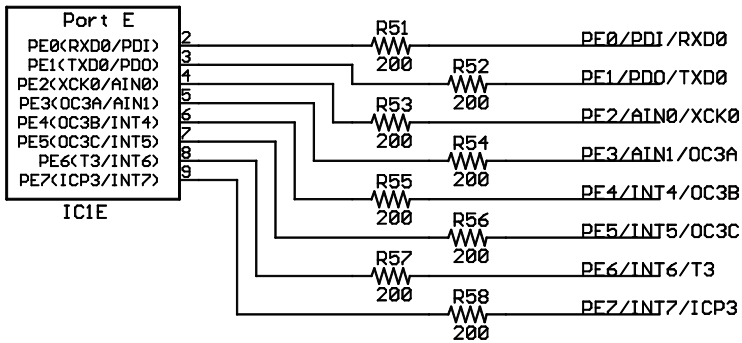
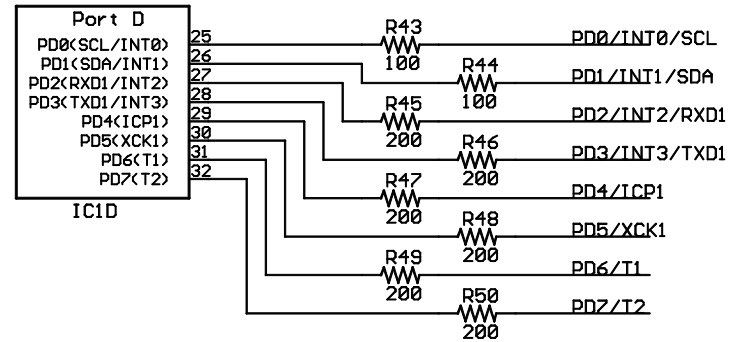
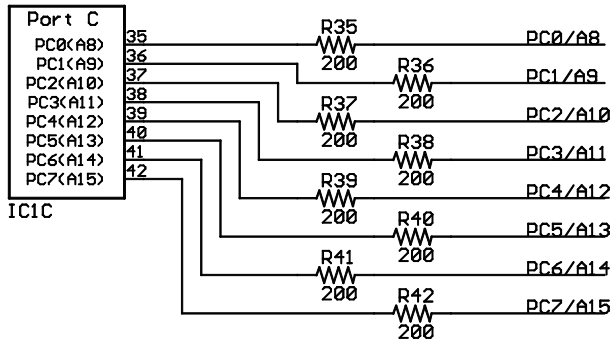
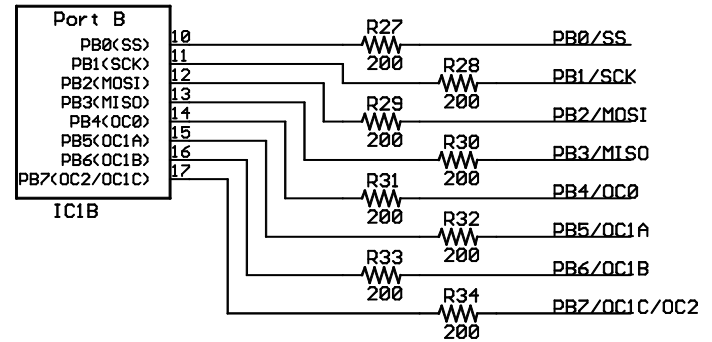
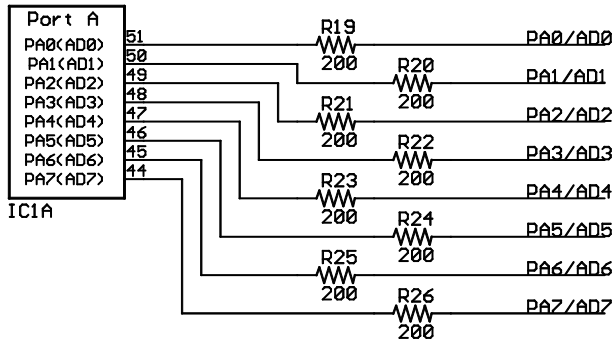
MCU Power and Misc Connections



Note 1: No Load C8

Digilent Cerebot II		Engineer: NEA
Copyright 2007, Digilent Inc.		Author: NEA
SHEET: Servo Connectors & Misc. I/O		Rev: C
TITLE: Cerebot II		Sheet: 3/4
Doc#: 500-128	Date: 07/25/2007	

MCU I/O Port Connections



Digilent Cerebot II		Engineer: NEA
Copyright 2007, Digilent Inc.		Author: NEA
SHEET: Microcontroller I/O Connections		Rev: C
TITLE: Cerebot II		Doc#: 500-128
Date: 07/25/2007		Sheet: 4/4