

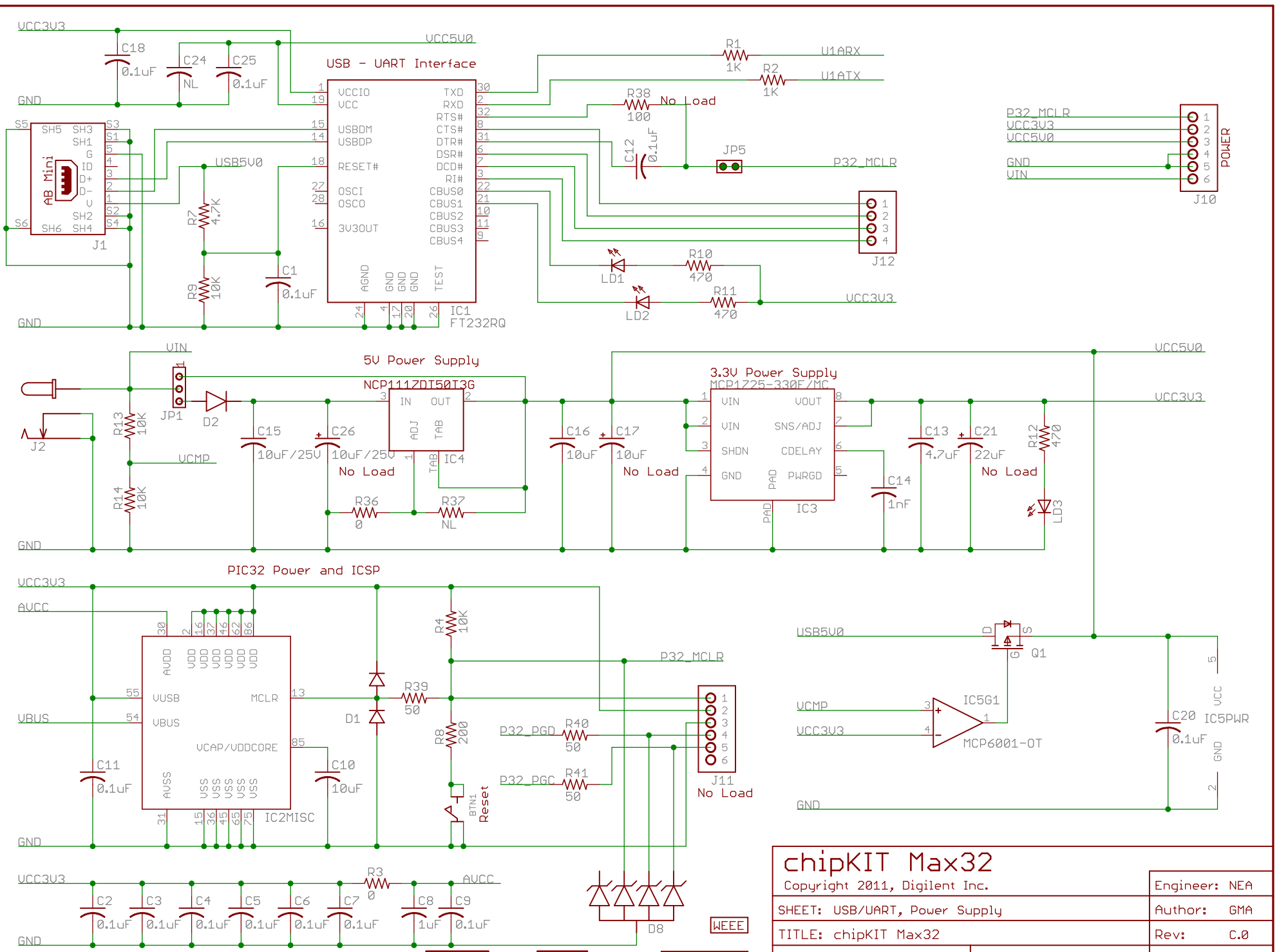
chipKIT™ Max32™ Reference Design

Digilent chipKIT hardware files are licensed under the Creative Commons Attribution-ShareAlike license. This license allows for both personal and commercial derivative works, as long as proper credit is given to Digilent and the designs are released under the same license.

www.creativecommons.org/licenses/by-sa/3.0/

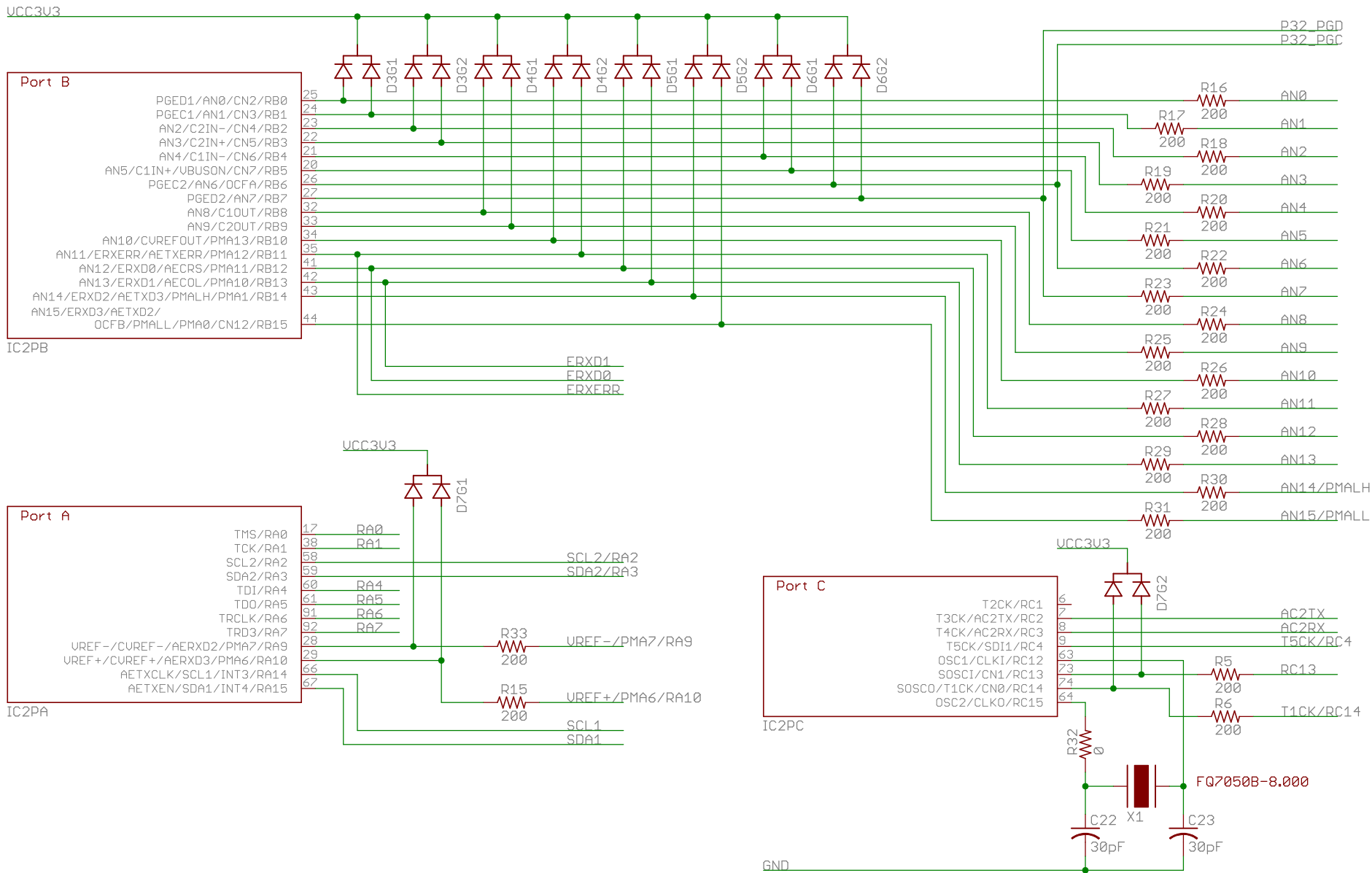
Reference designs are provided "AS IS" and "WITH ALL FAULTS". Digilent disclaims all other warranties express or implied, regarding this product, including but not limited to, any implied warranties of merchantability or fitness for any particular application. Digilent may make changes to specifications and product descriptions at any time, without notice.

chipKIT Max32		Engineer: NEA
Copyright 2011, Digilent Inc.		Author: GMA
SHEET: License		Rev: C.0
TITLE: chipKIT Max32		Sheet: 1/5
Doc#: 500-202	Date: 3/15/2011	



chipKIT Max32		Engineer: NEA
Copyright 2011, Digilent Inc.		Author: GMA
SHEET: USB/UART, Power Supply		Rev: C.0
TITLE: chipKIT Max32		Doc#: 500-202
Date: 3/15/2011		Sheet: 2/5

PIC32 I/O



chipKIT Max32

Copyright 2011, Digilent Inc.

Engineer: NEA

SHEET: PIC32 I/O

Author: GMA

TITLE: chipKIT Max32

Rev: C.0

Doc#: 500-202

Date: 3/15/2011

Sheet: 3/5

Note: IC2 - PIC32MX775F256L, PIC32MX775F512L, or PIC32MX795F512L

PIC32 I/O

Port D	
SD01/OC1/INT0/RD0	72
OC2/RD1	76
OC3/RD2	77
OC4/RD3	78
OC5/PMWR/CN13/RD4	81
PMRD/CN14/RD5	82
ETXEN/PMD14/CN15/RD6	83
ETXCLK/PMD15/CN16/RD7	84
RTCC/EMDIO/AEMDIO/IC1/RD8	68
SS1/IC2/RD9	69
SCK1/IC3/PMCS2/PMA15/RD10	71
EMDC/AEMDC/IC4/PMCS1/PMA14/RD11	71
ETXD2/IC5/PMD12/RD12	79
ETXD3/PMD13/CN19/RD13	80
AETXD0/SS1A/U1BRX/U1ACTS/CN20/RD14	47
AETXD1/SCK1A/U1BTX/U1ARTS/CN21/RD15	48

IC2PD

OC1/RD0	72
OC2/RD1	76
OC3/RD2	77
OC4/RD3	78
OC5/PMWR/RD4	81
PMRD/RD5	82
ETXEN/RD6	83
RD7	84
FMDIO	68
RD9	69
PMCS2	71
FMDC/PMCS1	71
IC5	79
RD13	80
U1BRX	47
U1BTX	48

Port F	
C1RX/ETXD1/PMD11/RF0	87
C1TX/ETXD0/PMD10/RF1	88
SDA1A/SDI1A/U1ARX/RF2	52
USBID/RF3	51
SDA3A/SDI3A/U3ARX/PMA9/CN17/RF4	49
SCL3A/SDO3A/U3ATX/PMA8/CN18/RF5	50
SCL1A/SDO1A/U1ATX/RF8	53
AC1RX/SS3A/U3BRX/U3ACTS/RF12	40
AC1TX/SCK3A/U3BTX/U3ARTS/RF13	39

IC2PF

FTXD1	87
FTXD0	88
U1ARX	52
USBID	51
U3ARX	49
U3ATX	50
U1ATX	53
U3BRX/AC1RX/RF12	40
U3BTX/AC1TX/RF13	39

Port E	
PMD0/RE0	93
PMD1/RE1	94
PMD2/RE2	98
PMD3/RE3	99
PMD4/RE4	100
PMD5/RE5	3
PMD6/RE6	4
PMD7/RE7	5
AERXD0/INT1/RE8	18
AERXD1/INT2/RE9	19

IC2PE

PMD0	93
PMD1	94
PMD2	98
PMD3	99
PMD4	100
PMD5	3
PMD6	4
PMD7	5
INT1/RE8	18
INT2/RE9	19

Port G	
C2RX/PMD8/RG0	90
C2TX/ETXERR/PMD9/RG1	89
D+/RG2	57
D-/RG3	56
ECOL/SCK2A/U2BTX/U2ARTS/PMA5/CN8/RG6	10
ECRS/SDA2A/SDI2A/U2ARX/PMA4/CN9/RG7	11
ERXD0/AERXD0/ECRS0V/AECRS0V/	
SCL2A/SDO2A/U2ATX/PMA3/CN10/RG8	12
ERXCLK/AERXCLK/EREFCLK/AEREFCLK/	
SS2A/U2BRX/U2ACTS/PMA2/CN11/RG9	14
TRD1/RG12	96
TRD0/RG13	97
TRD2/RG14	95
AERXERR/RG15	1

IC2PG

RG0	90
RG1	89
USBD+	57
USBD-	56
PMA5/SCK2A/RG6	10
PMA4/SDI2A/RG7	11
PMA3/ECRS0V/SDO2A/RG8	12
PMA2/EREFCLK/SS2A/RG9	14
RG12	96
RG13	97
RG14	95
RG15	1

chipKIT Max32

Copyright 2011, Digilent Inc.

Engineer: NEA

SHEET: PIC32 I/O

Author: GMA

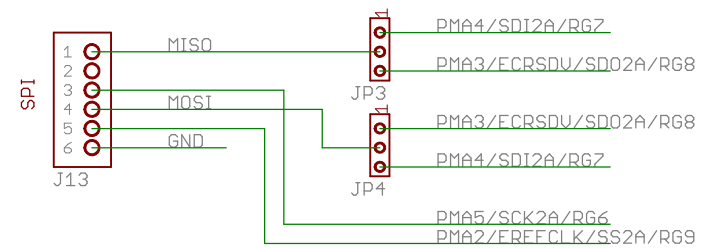
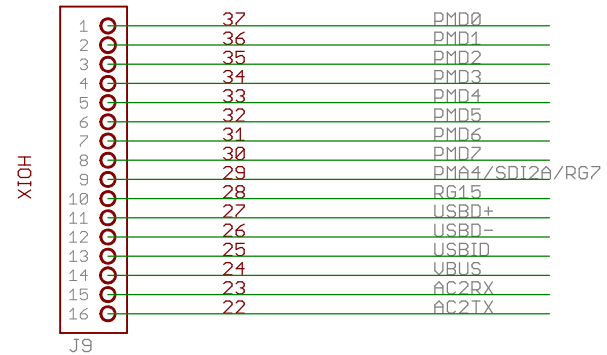
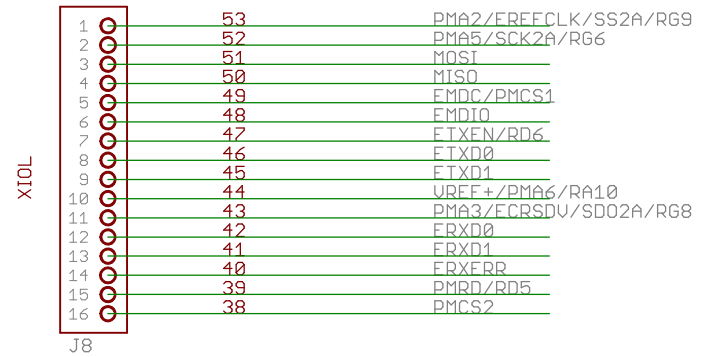
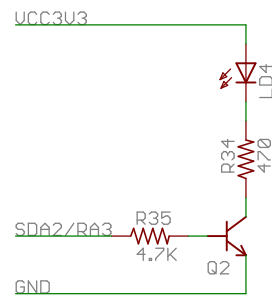
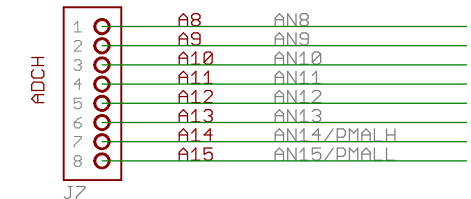
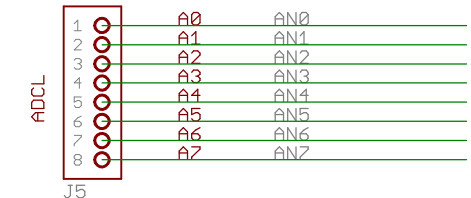
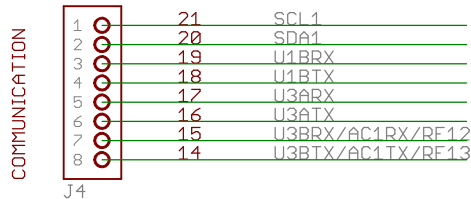
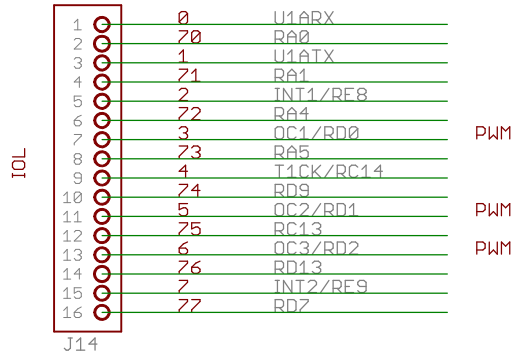
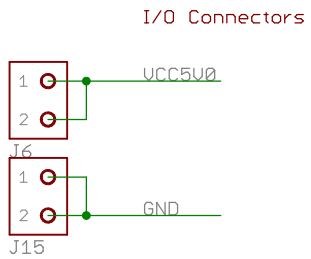
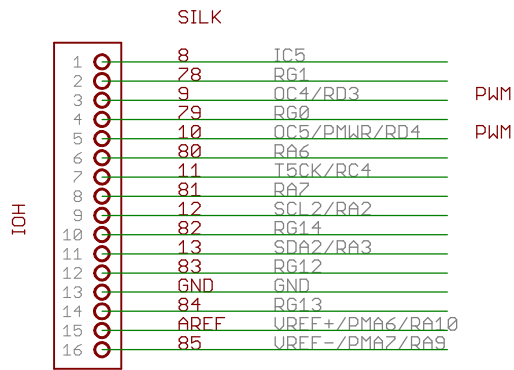
TITLE: chipKIT Max32

Rev: C.0

Doc#: 500-202

Date: 3/15/2011

Sheet: 4/5



chipKIT Max32

Copyright 2011, Digilent Inc.

Engineer: NEA

SHEET: I/O Connectors

Author: GMA

TITLE: chipKIT Max32

Rev: C.0

Doc#: 500-202

Date: 3/15/2011

Sheet: 5/5