

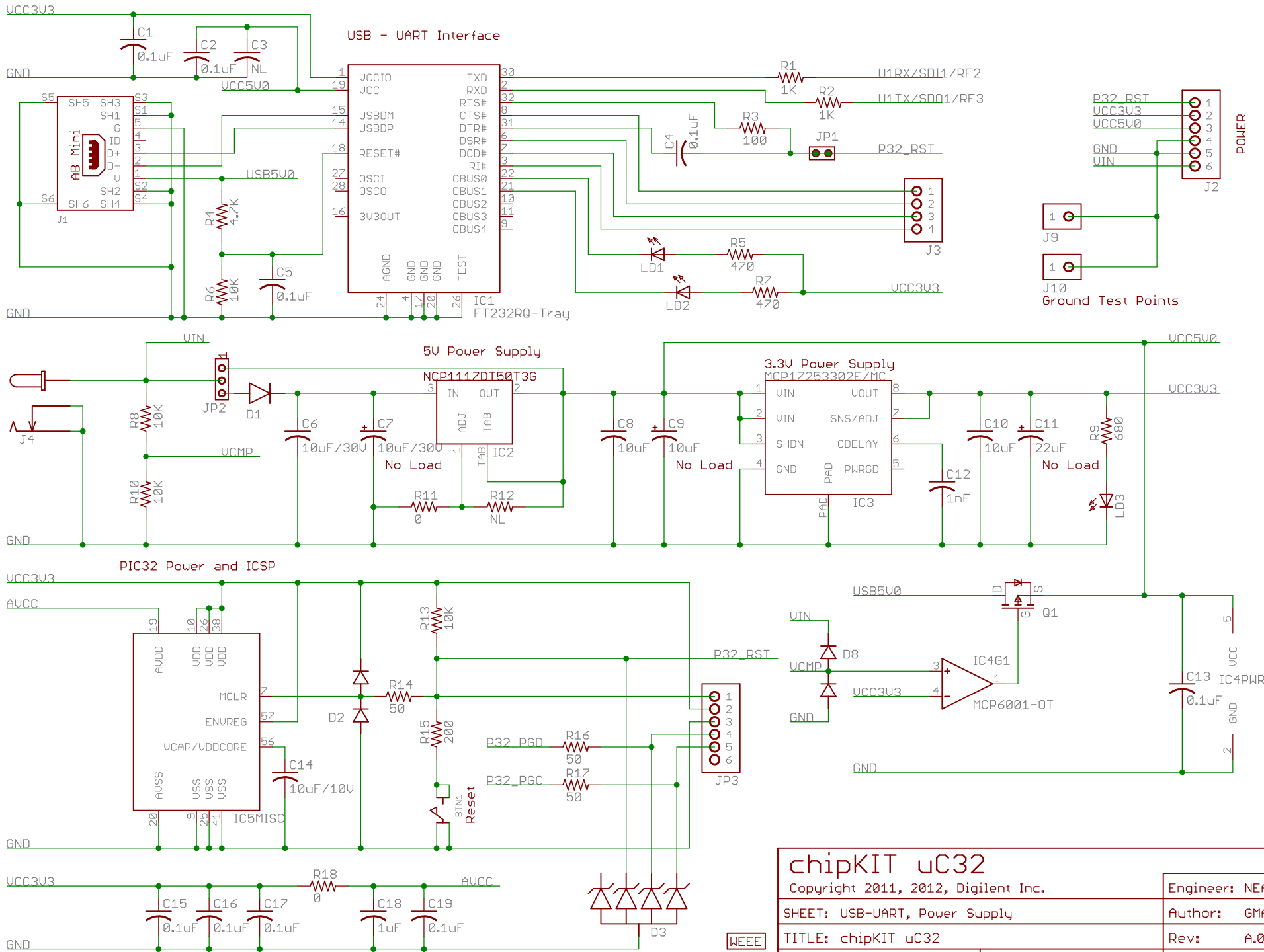
# chipKIT™ uC32™ Reference Design

Digilent chipKIT hardware files are licensed under the Creative Commons Attribution-ShareAlike license. This license allows for both personal and commercial derivative works, as long as proper credit is given to Digilent and the designs are released under the same license.

[www.creativecommons.org/licenses/by-sa/3.0/](http://www.creativecommons.org/licenses/by-sa/3.0/)

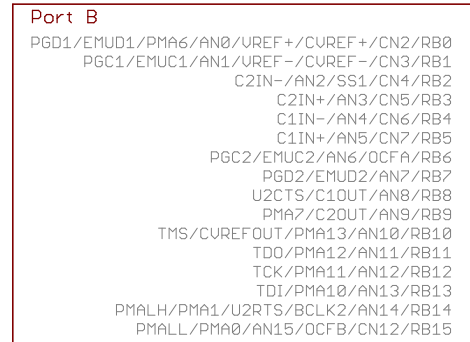
Reference designs are provided "AS IS" and "WITH ALL FAULTS". Digilent disclaims all other warranties express or implied, regarding this product, including but not limited to, any implied warranties of merchantability or fitness for any particular application. Digilent may make changes to specifications and product descriptions at any time, without notice.

<b>chipKIT uC32</b>		Engineer: NEA
Copyright 2011, 2012, Digilent Inc.		Author: GMA
SHEET: License Agreement		Rev: A.0
TITLE: chipKIT uC32		Doc#: 500-254
Date: 4/20/2012	Sheet: 1/4	

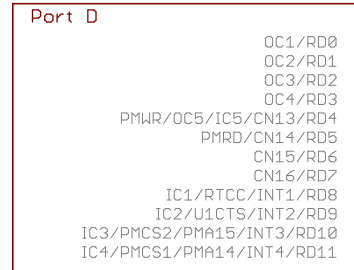


<b>chipKIT uC32</b>		Engineer: NEA
Copyright 2011, 2012, Digilent Inc.		Author: GMA
SHEET: USB-UART, Power Supply		Rev: A.0
TITLE: chipKIT uC32		Date: 4/20/2012
Doc#: 500-254	Date: 4/20/2012	Sheet: 2/4

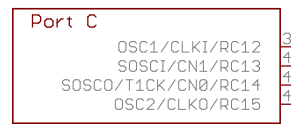
UCC3U3



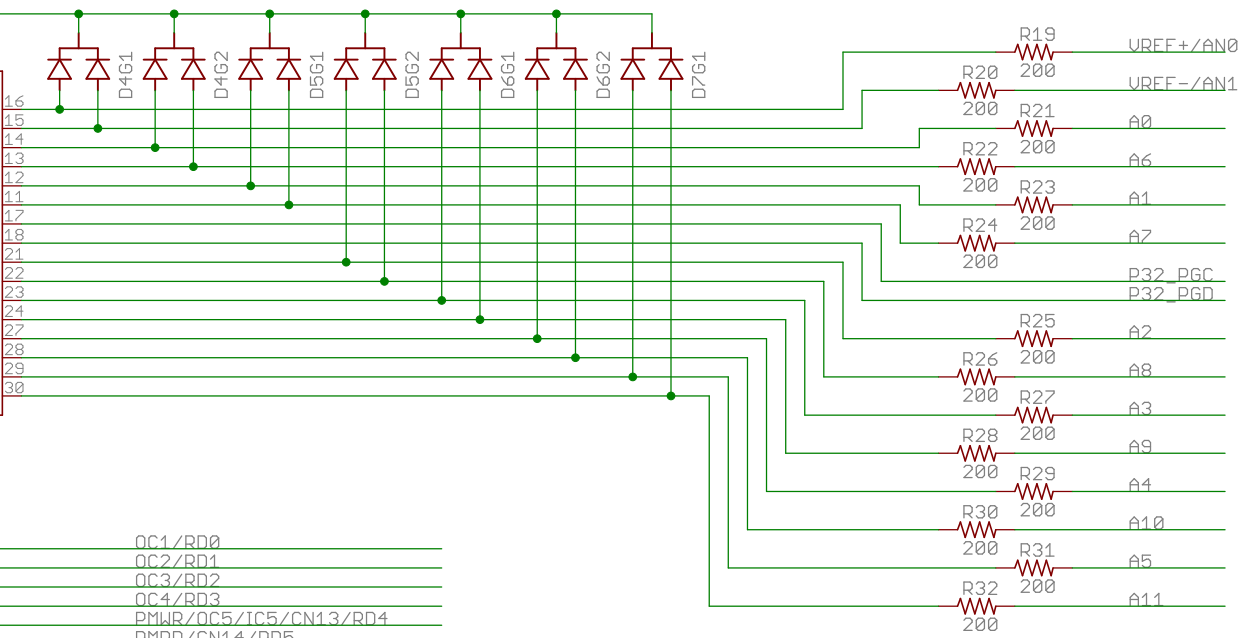
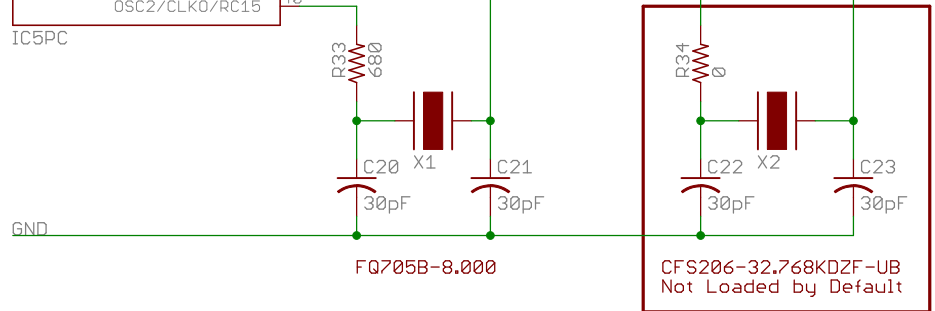
IC5PB



IC5PD



IC5PC



NOTE: IC2 - PIC32MX320F064H, PIC32MX320F128H

# chipKIT uC32

Copyright 2011, 2012, Digilent Inc.

Engineer: NEA

SHEET: PIC32 I/O

Author: GMA

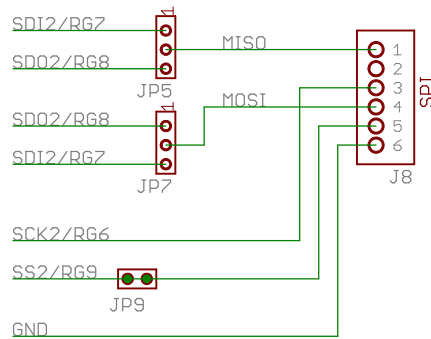
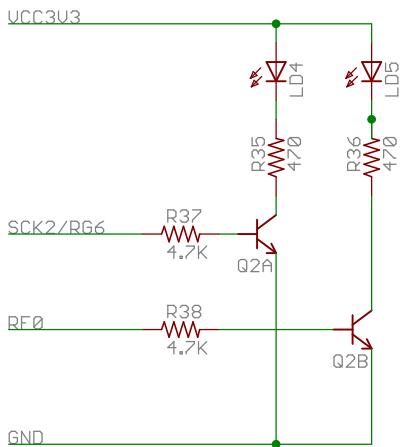
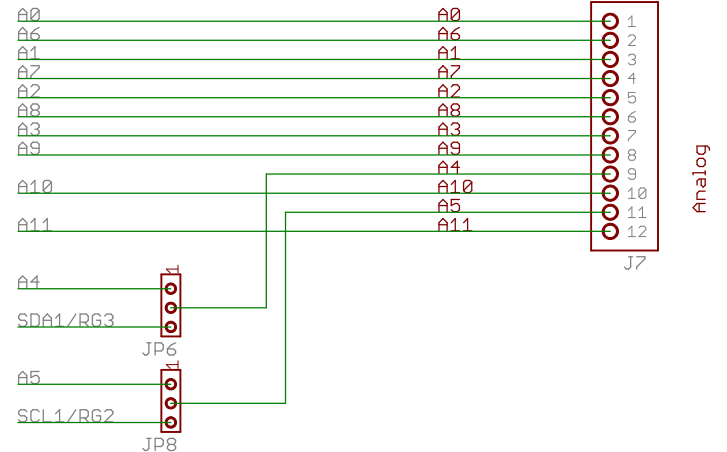
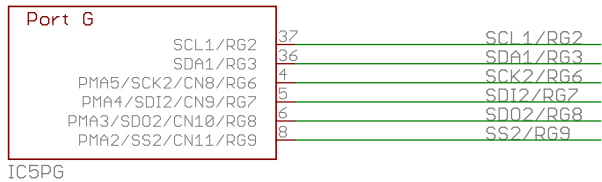
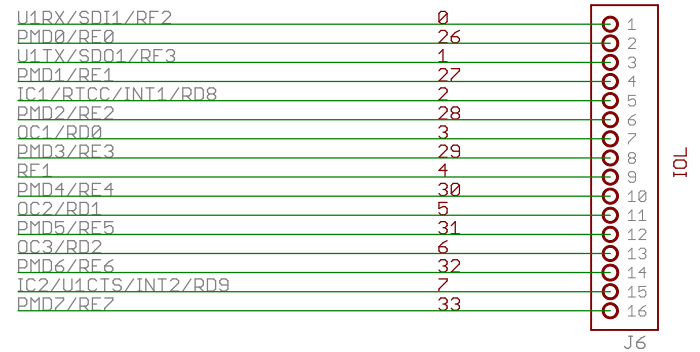
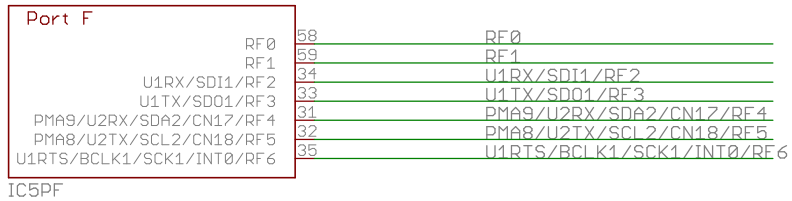
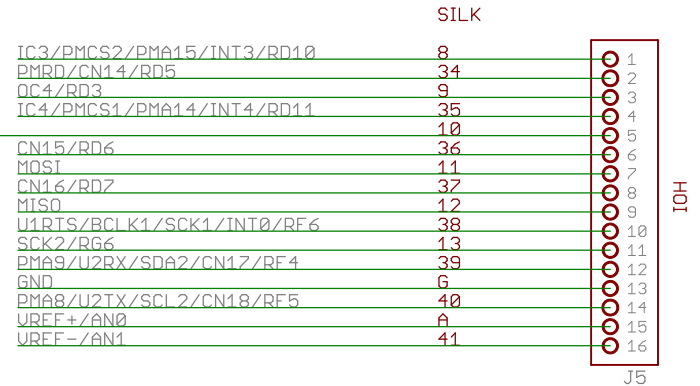
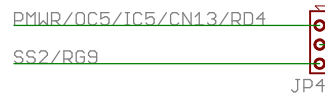
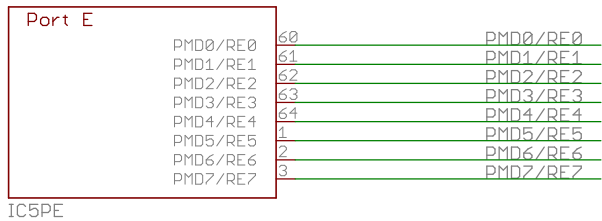
TITLE: chipKIT uC32

Rev: A.0

Doc#: 500-254

Date: 4/20/2012

Sheet: 3/4



## chipKIT uC32

Copyright 2011, 2012, Digilent Inc.

Engineer: NEA

SHEET: PIC32 I/O, I/O Connectors

Author: GMA

TITLE: chipKIT uC32

Rev: A.0

Doc#: 500-254

Date: 4/20/2012

Sheet: 4/4