

Title			Rev
FMC Carrier-S6			B.1
Circuit	User I/O, FMC	Copyright 2013	
Doc#	500-256		
Engineer	EG		
Author	DL		
Date	2/21/2013		
Sheet#	1 out of 10		

A

A

B

B

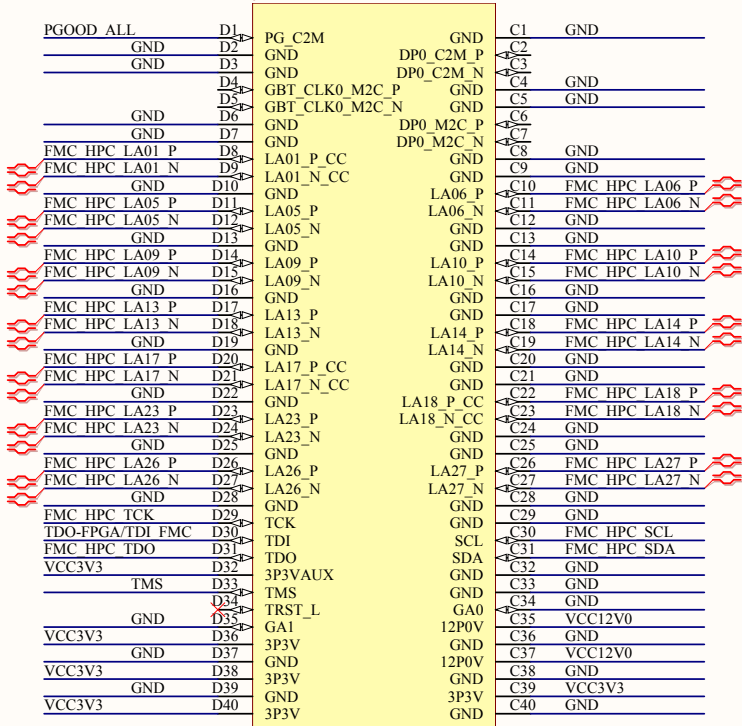
C

C

D

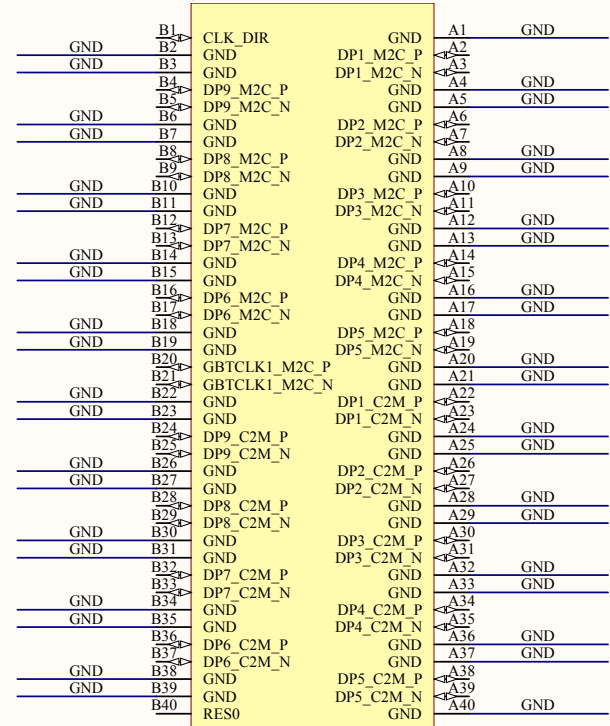
D

J1D



ASP-134486-01

J1E

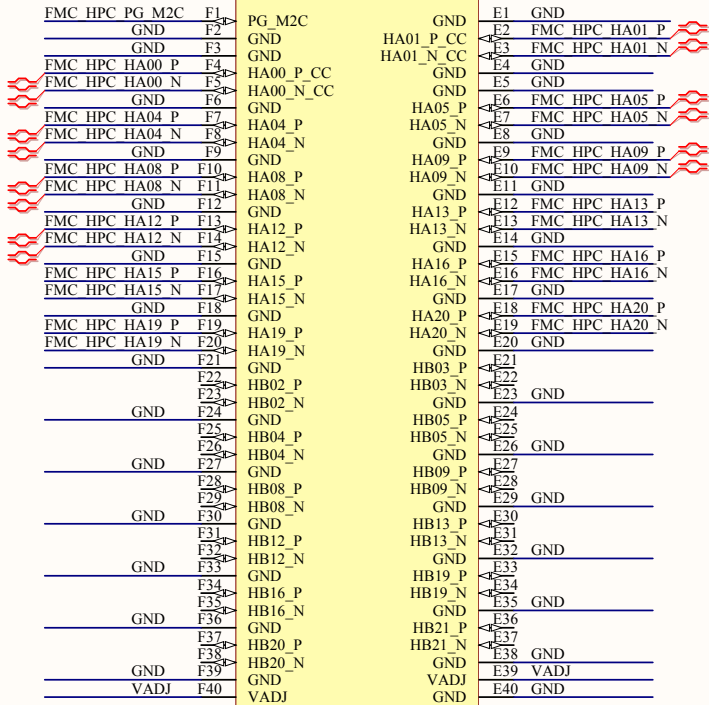


ASP-134486-01

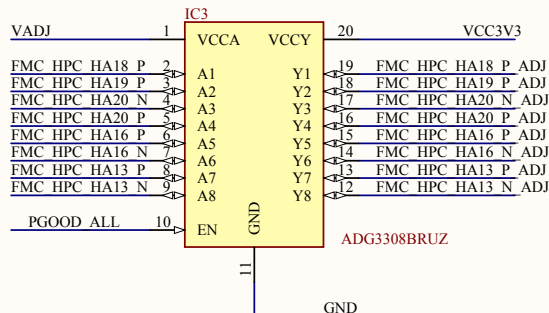
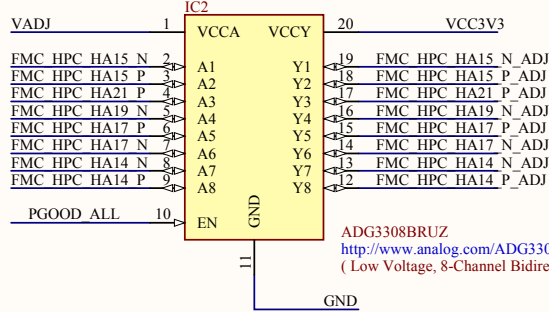
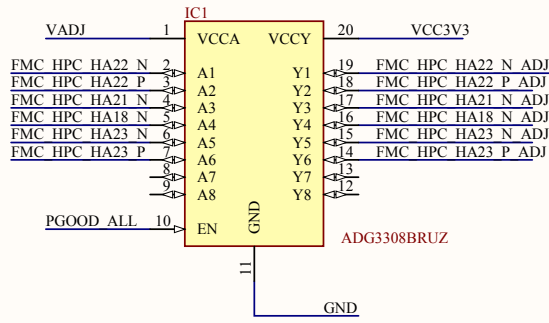
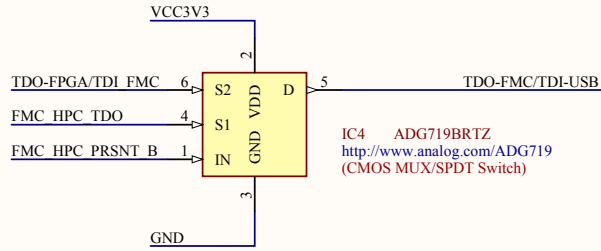
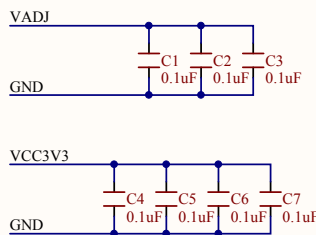
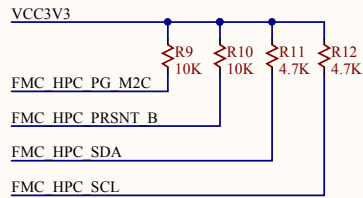
Title		<b>FMC Carrier-S6</b>		Rev		<b>B.1</b>	
				Copyright		2013	
Circuit	FMC						
Doc#	500-256						
Engineer	EG						
Author	DL						
Date	2/21/2013						
Sheet#	2 out of 10						



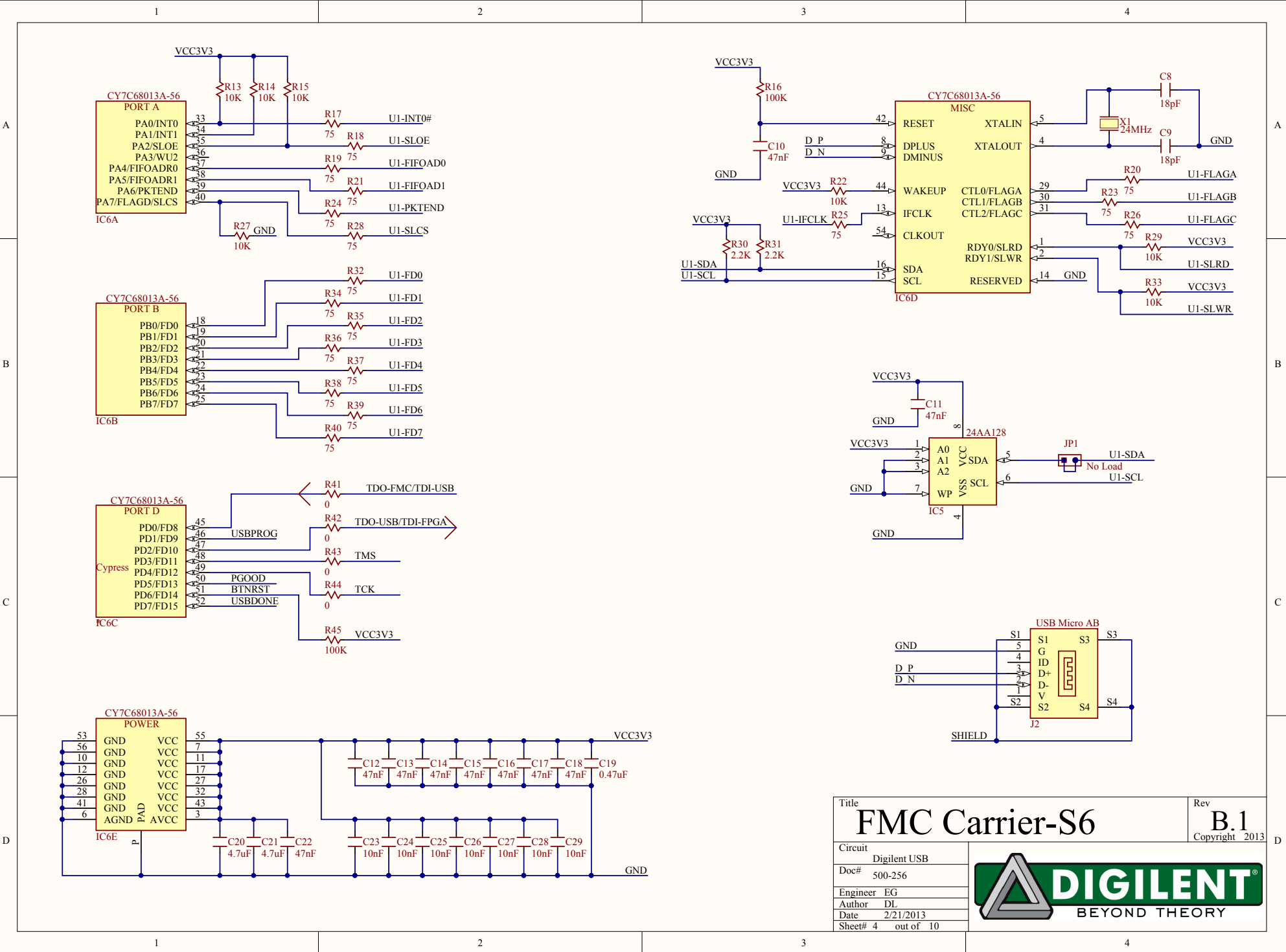
JIC




ASP-134486-01



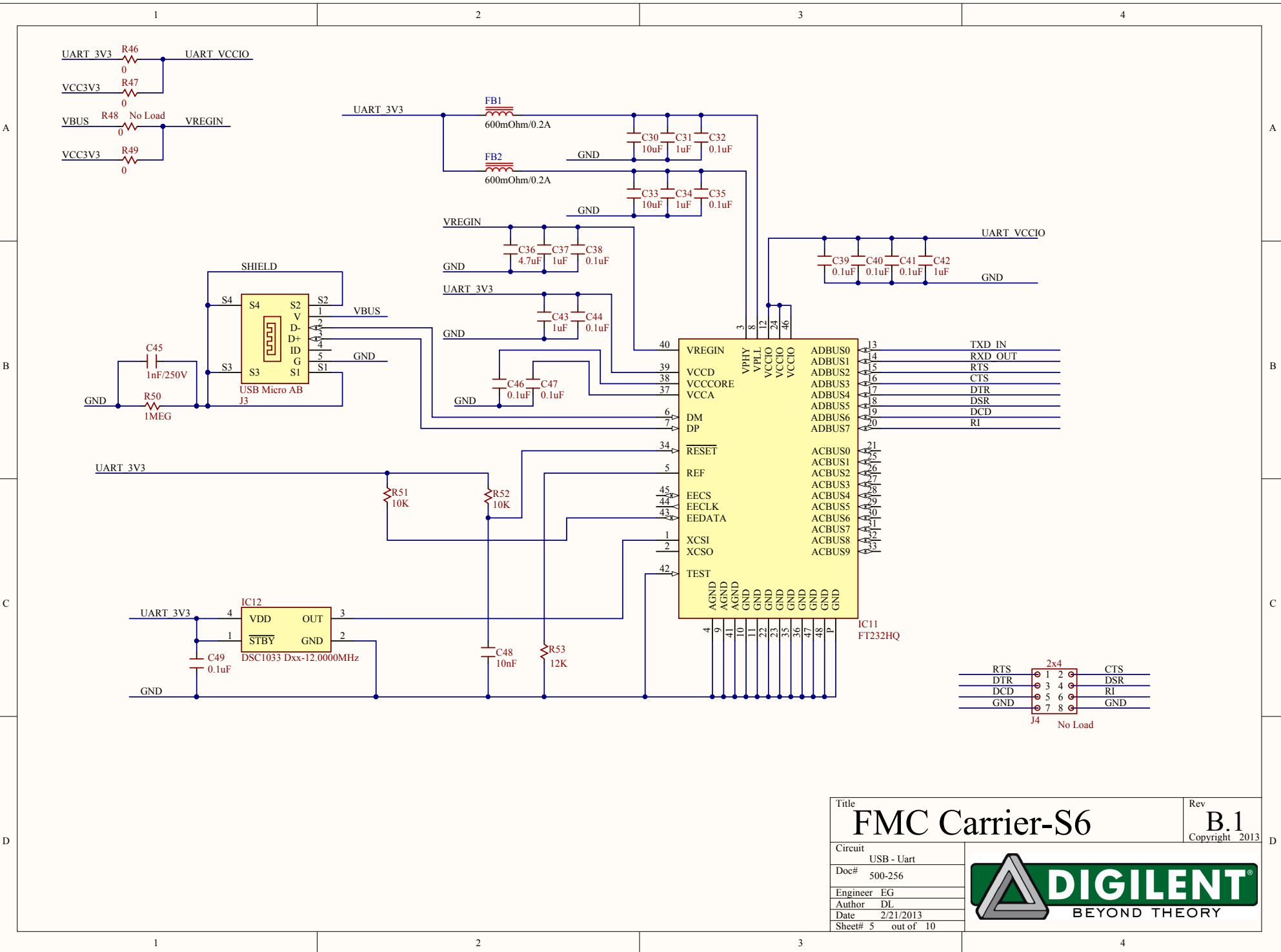
Title		Rev	
<b>FMC Carrier-S6</b>		<b>B.1</b>	
Circuit		Copyright 2013	
FMC, Level Shifters			
Doc#	500-256		
Engineer	EG		
Author	DL		
Date	2/21/2013		
Sheet#	3 out of 10		




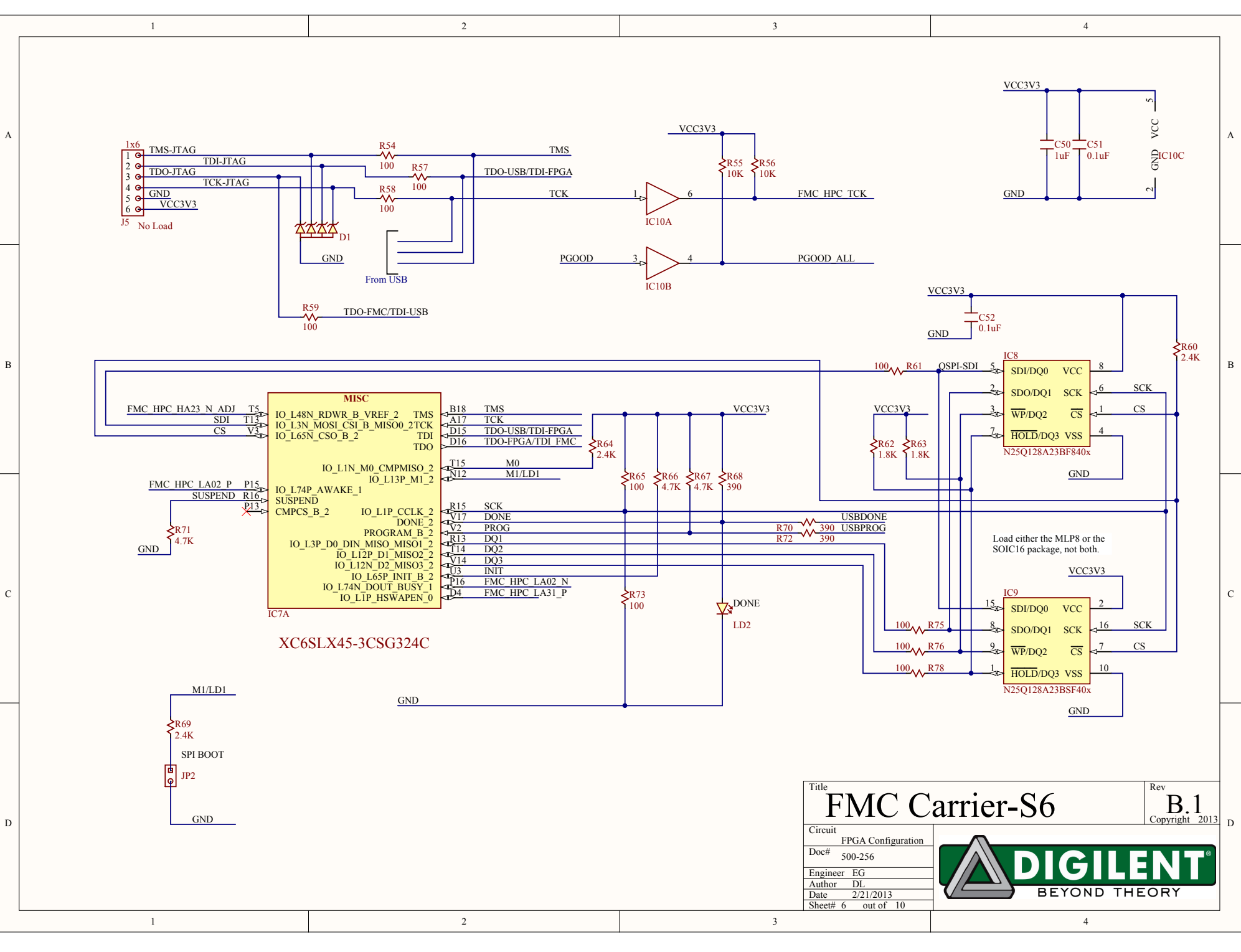
Title		Rev	
FMC Carrier-S6		B.1	
Circuit		Copyright 2013	
Digilent USB			
Doc#	500-256		
Engineer	EG		
Author	DL		
Date	2/21/2013		
Sheet#	4 out of 10		




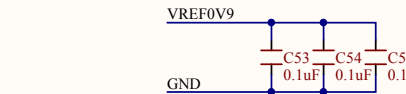
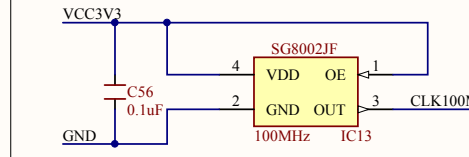
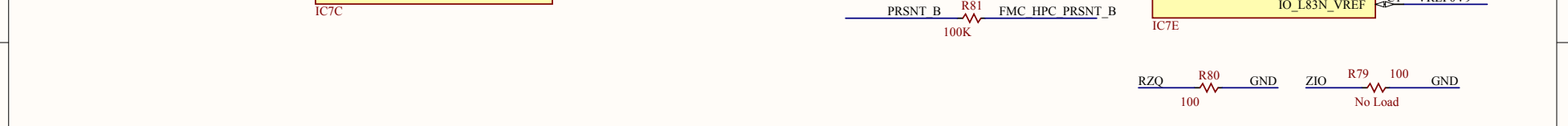
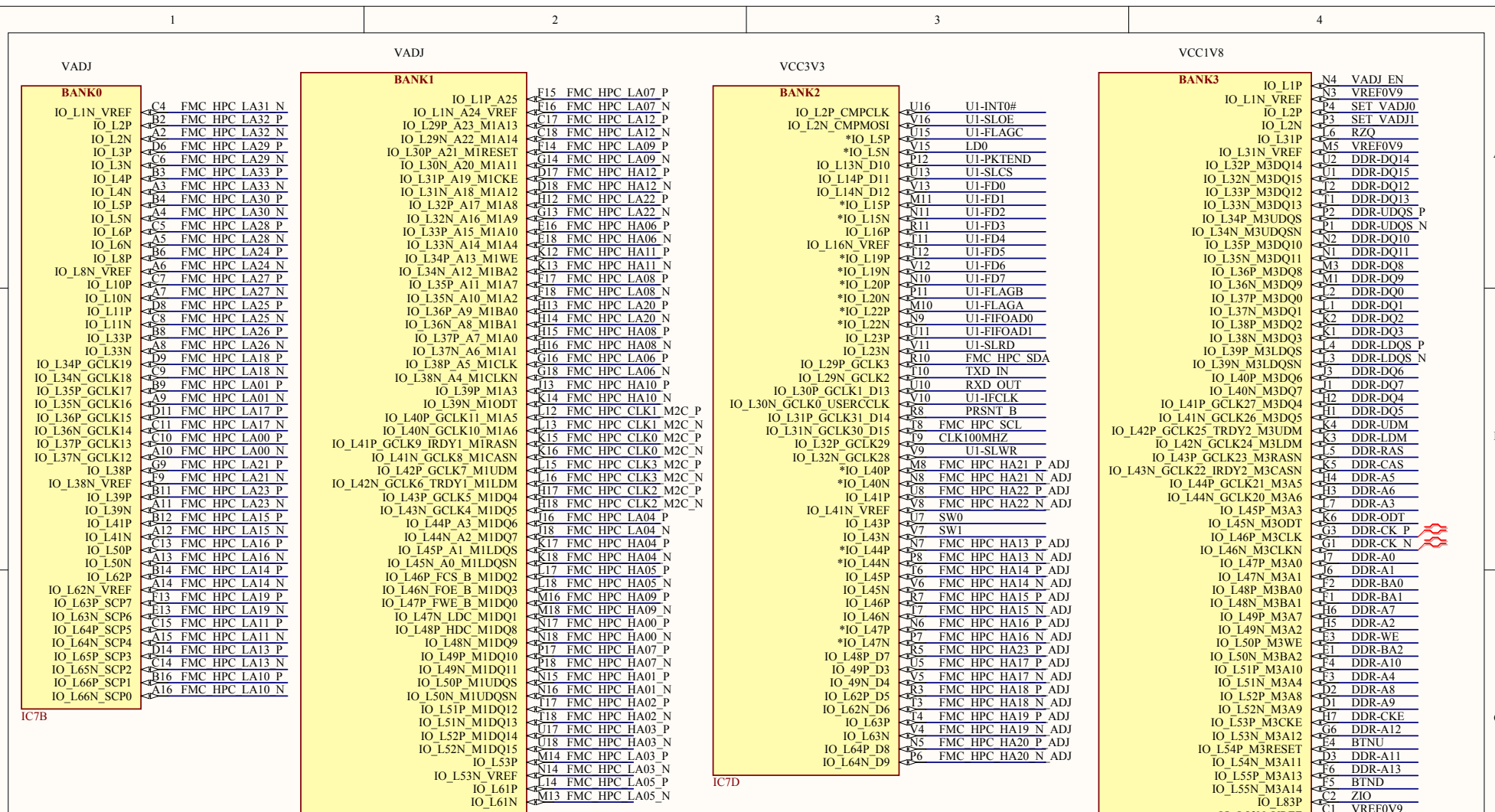
**DIGILENT**  
BEYOND THEORY



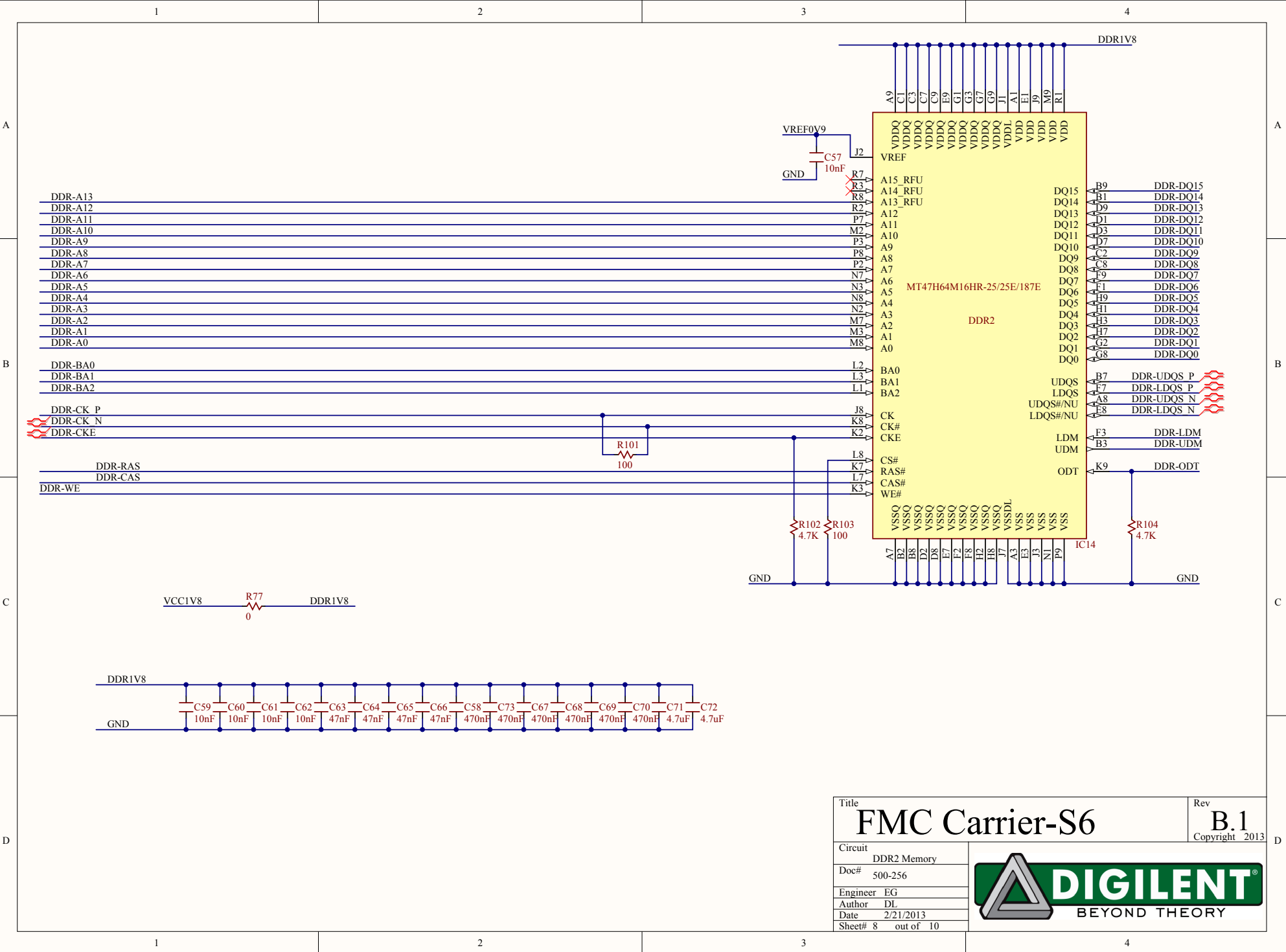
Title		<b>FMC Carrier-S6</b>		Rev		<b>B.1</b>	
Circuit		USB - Uart		Copyright		2013	
Doc#		500-256		 <b>DIGILENT</b> BEYOND THEORY			
Engineer		EG					
Author		DL					
Date		2/21/2013					
Sheet#		5 out of 10					




Title		Rev	
<b>FMC Carrier-S6</b>		<b>B.1</b>	
Circuit		FPGA Configuration	
Doc#	500-256	Copyright 2013	
Engineer	EG		
Author	DL		
Date	2/21/2013		
Sheet#	6 out of 10		

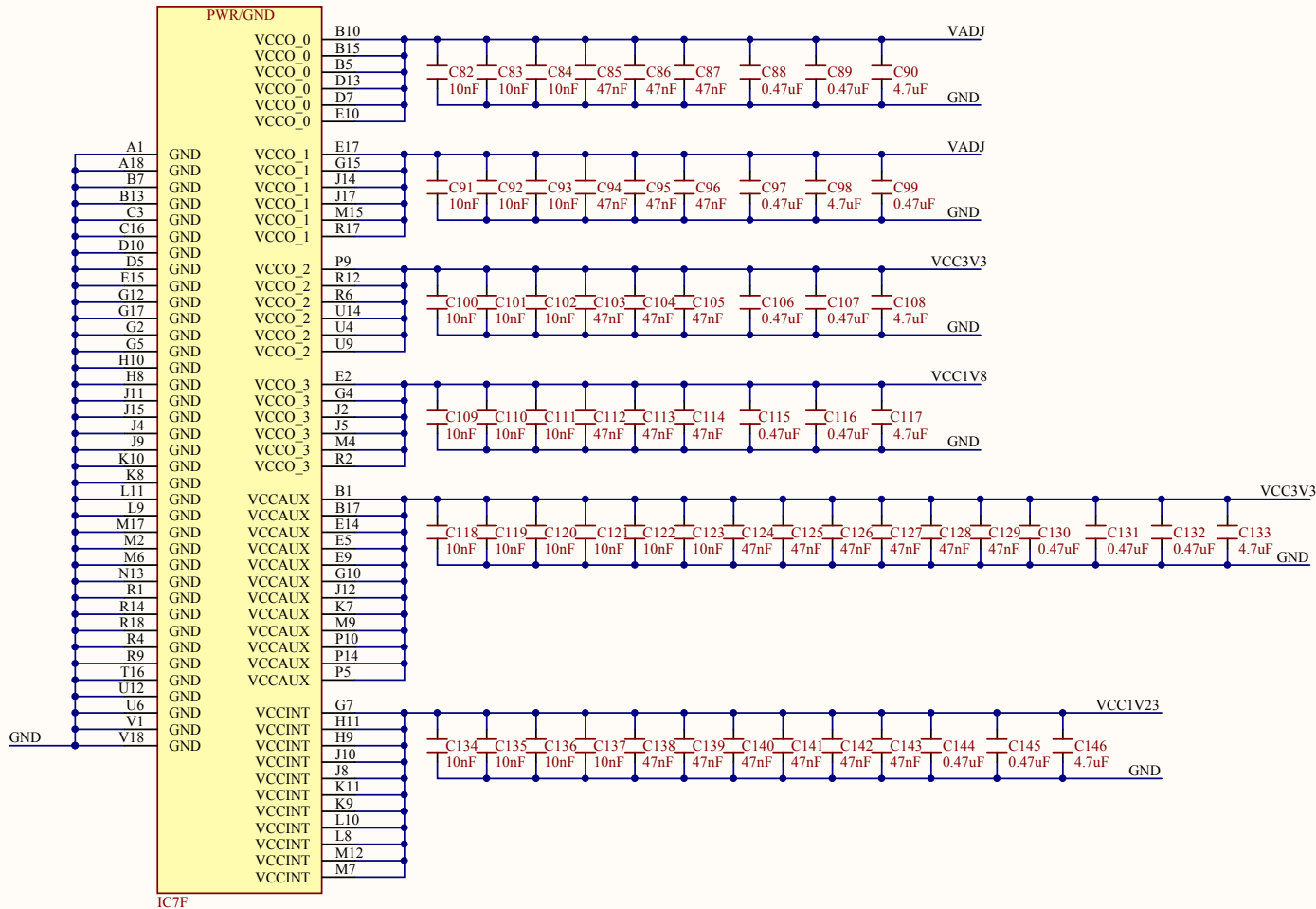


Title		 <b>DIGILENT</b> BEYOND THEORY	Rev
FMC Carrier-S6			B.1
Circuit	FPGA Banks	Copyright 2013	
Doc#	500-256		
Engineer	EG		
Author	DL		
Date	2/21/2013		
Sheet#	7 out of 10		



Title		FMC Carrier-S6		Rev		B.1	
Circuit		DDR2 Memory		Copyright		2013	
Doc#		500-256					
Engineer		EG					
Author		DL					
Date		2/21/2013					
Sheet#		8 out of 10					





Foot

F1

Foot

F2

Foot

F3

Foot

F4

Digilent Inc.

Xilinx

CE

Chinese ROHS

ROHS

Data IO

Title

# FMC Carrier-S6

Rev

## B.1

Copyright 2013

Circuit FPGA Power

Doc# 500-256

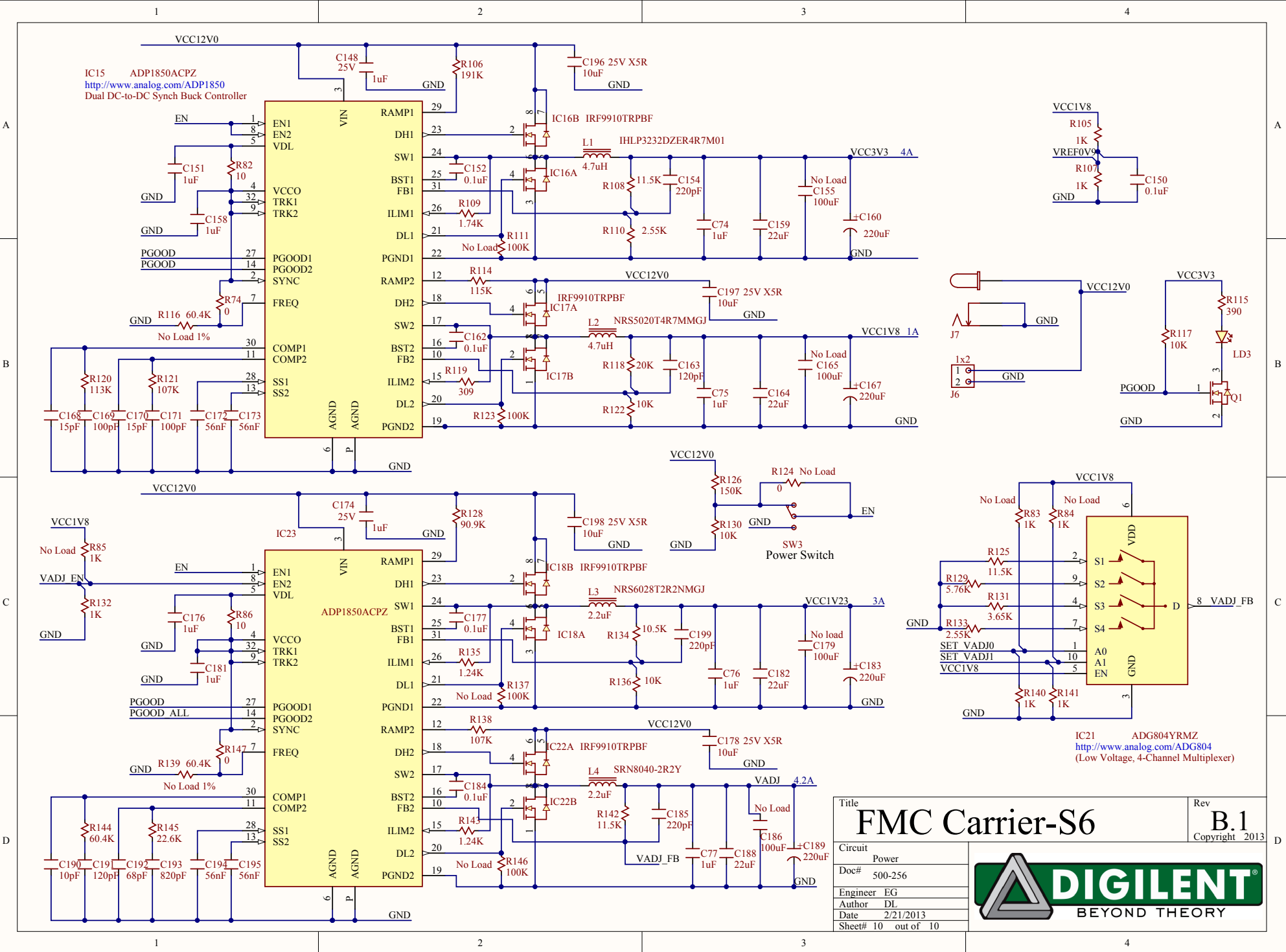
Engineer EG

Author DL

Date 2/21/2013

Sheet# 9 out of 10





Title		Rev	
FMC Carrier-S6		B.1	
Circuit		Power	
Doc#	500-256	Copyright 2013	
Engineer	EG		
Author	DL		
Date	2/21/2013		
Sheet#	10 out of 10		