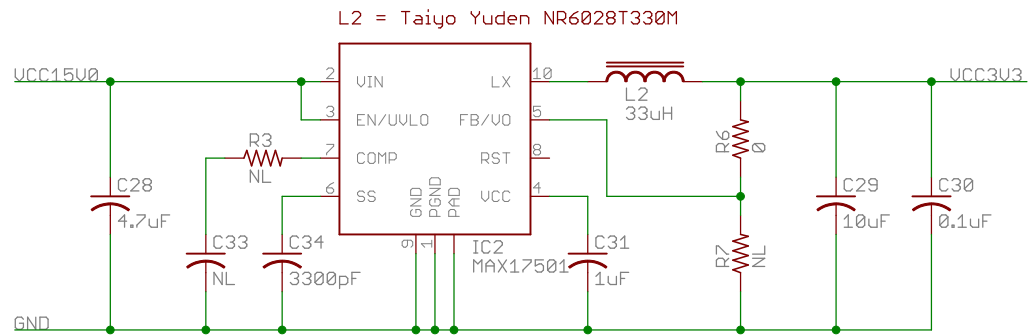
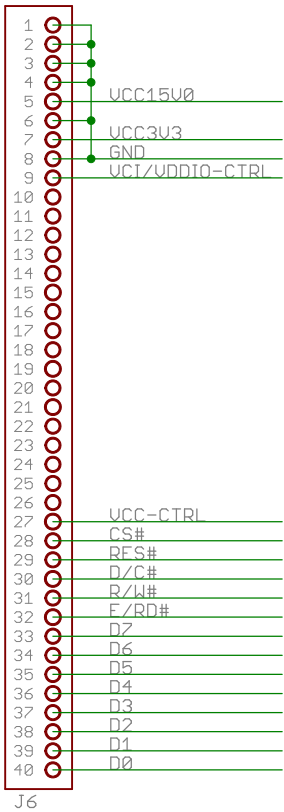
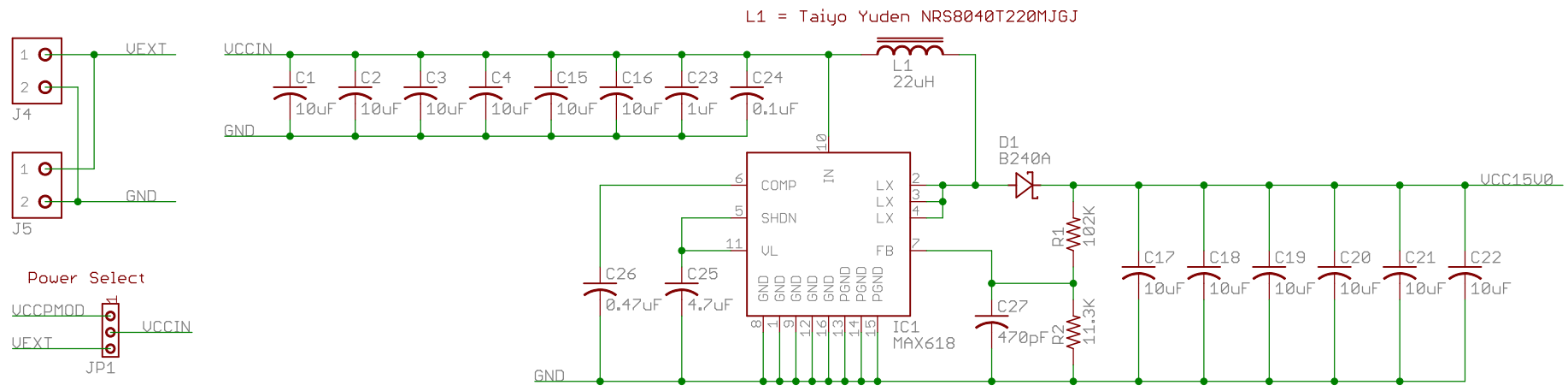


NL = Not Loaded by Default

| | | |
|------------------------------------|--|---------------|
| PmodOLED2 | | Engineer: MTA |
| Copyright 2012, Digilent Inc. | | Author: PJA |
| SHEET: Pmod Connectors and Display | | Rev: B.1 |
| TITLE: PmodOLED2 | | Doc#: 500-225 |
| Date: 06/06/2012 | | Sheet: 1/2 |



PmodLED2

Copyright 2012, Digilent Inc.

Engineer: MTA

SHEET: Power Supplies

Author: PJA

TITLE: PmodLED2

Rev: B.1

Doc#: 500-225

Date: 06/06/2012

Sheet: 2/2