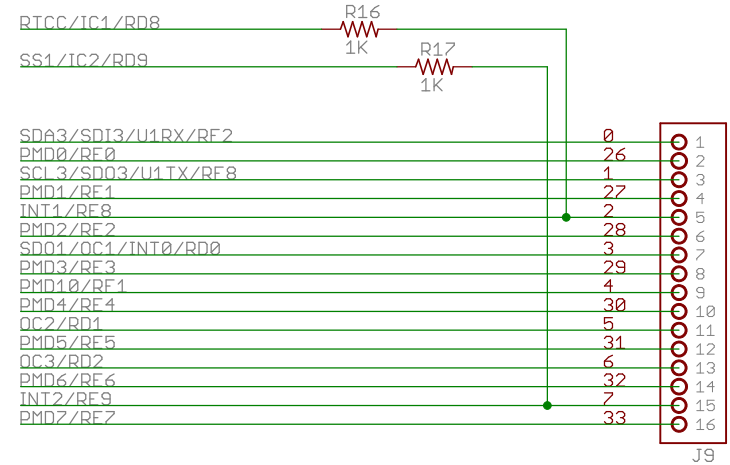
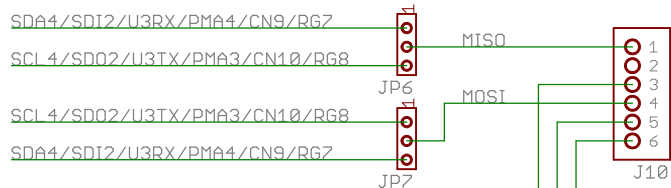
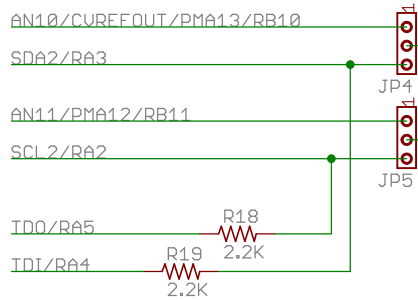
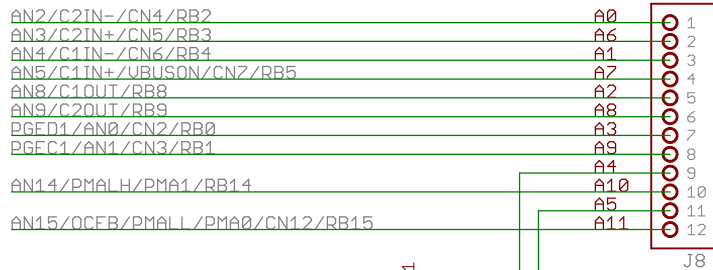
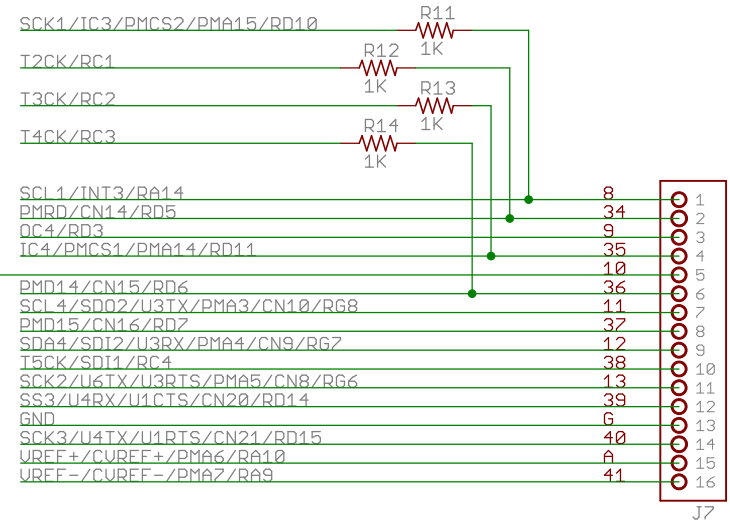
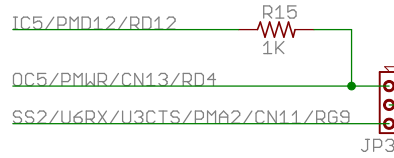
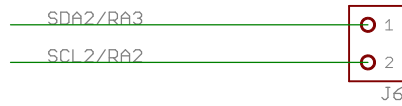


chipKIT WF32 Copyright 2013, Digilent Inc.		Engineer: NEA
SHEET: ICSP, USB Serial		Author: CLG
TITLE: chipKITWF32		Rev: B.0
Doc#: 500-273	Date: 03/26/2013	Sheet: 1/6



chipKIT WF32

Copyright 2013, Digilent Inc.

Engineer: NEA

SHEET: chipKIT I/O connectors

Author: CLG

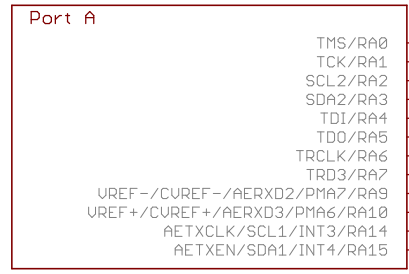
TITLE: chipKITWF32

Rev: B.0

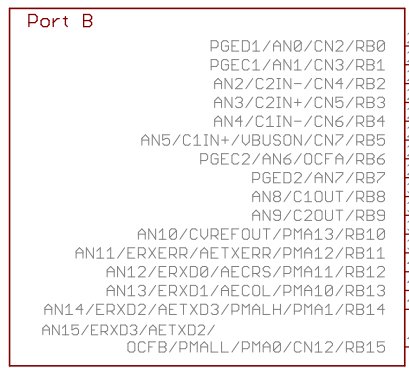
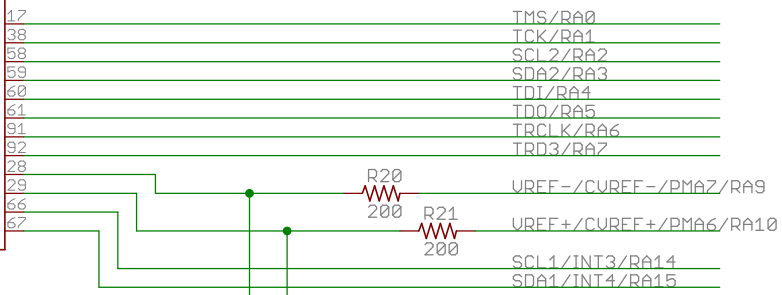
Doc#: 500-273

Date: 03/26/2013

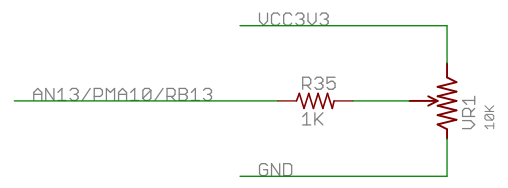
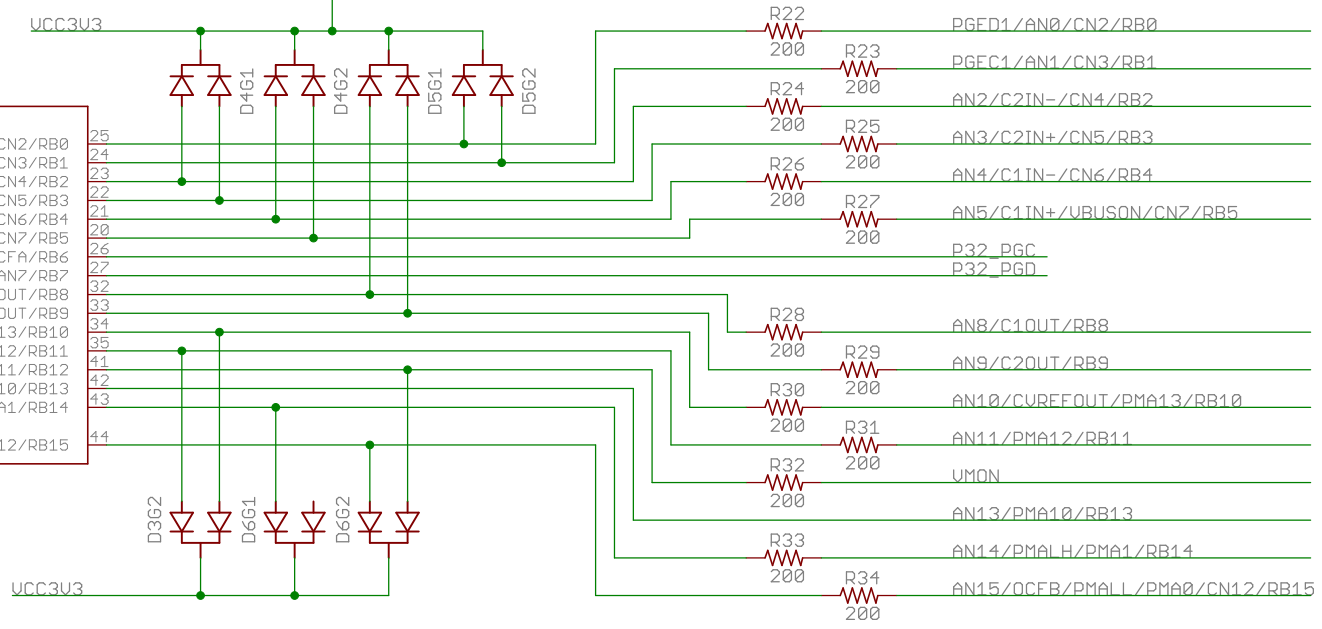
Sheet: 2/6



IC2PA



IC2PB



chipKIT WF32		Engineer: NEA
Copyright 2013, Digilent Inc.		Author: CLG
SHEET: PIC32 I/O		Rev: B.0
TITLE: chipKITWF32		Date: 03/26/2013
Doc#: 500-273	Date: 03/26/2013	Sheet: 3/6

Port D	
SD01/OC1/INT0/RD0	Z2
OC2/RD1	Z5
OC3/RD2	Z7
OC4/RD3	Z8
OC5/PMWR/CN13/RD4	81
PMRD/CN14/RD5	82
ETXEN/PMD14/CN15/RD6	83
ETXCLK/PMD15/CN16/RD7	84
RTCC/EMDIO/AEMDIO/IC1/RD8	68
SS1/IC2/RD9	69
SCK1/IC3/PMCS2/PMA15/RD10	Z0
EMDC/AEMDC/IC4/PMCS1/PMA14/RD11	Z1
ETXD2/IC5/PMD12/RD12	Z9
ETXD3/PMD13/CN19/RD13	80
AETXD0/SS3/U4RX/U1CTS/CN20/RD14	47
AETXD1/SCK3/U4TX/U1RTS/CN21/RD15	48

IC2PD

Port E	
PMD0/RE0	93
PMD1/RE1	94
PMD2/RE2	98
PMD3/RE3	99
PMD4/RE4	100
PMD5/RE5	3
PMD6/RE6	4
PMD7/RE7	5
AERXD0/INT1/RE8	18
AERXD1/INT2/RE9	19

IC2PE

Port C	
T2CK/RC1	6
T3CK/AC2TX/RC2	7
T4CK/AC2RX/RC3	8
T5CK/SDI1/RC4	9
OSC1/CLKI/RC12	63
SOSC1/CN1/RC13	Z3
SOSCO/T1CK/CN0/RC14	Z4
OSC2/CLKO/RC15	64

IC2PC

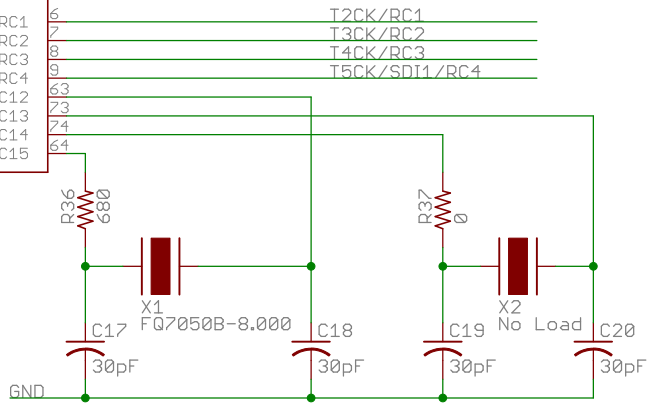
SD01/OC1/INT0/RD0	Z2
OC2/RD1	Z5
OC3/RD2	Z7
OC4/RD3	Z8
OC5/PMWR/CN13/RD4	81
PMRD/CN14/RD5	82
PMD14/CN15/RD6	83
PMD15/CN16/RD7	84
RTCC/IC1/RD8	68
SS1/IC2/RD9	69
SCK1/IC3/PMCS2/PMA15/RD10	Z0
IC4/PMCS1/PMA14/RD11	Z1
IC5/PMD12/RD12	Z9
PMD13/CN19/RD13	80
SS3/U4RX/U1CTS/CN20/RD14	47
SCK3/U4TX/U1RTS/CN21/RD15	48

Port F	
C1RX/ETXD1/PMD11/RF0	87
C1TX/ETXD0/PMD10/RF1	88
SDA3/SDI3/U1RX/RF2	52
USBID/RF3	51
SDA5/SDI4/U2RX/PMA9/CN17/RF4	49
SCL5/SD04/U2TX/PMA8/CN18/RF5	50
SCL3/SD03/U1TX/RF8	53
SS4/U5RX/U2CTS/RF12	40
AC1RX/SS4/U5RX/U2CTS/RF12	39
AC1TX/SCK4/U5TX/U2RTS/RF13	39

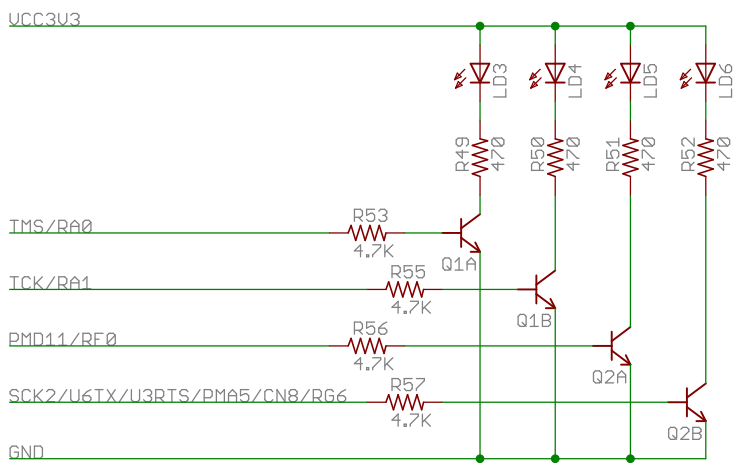
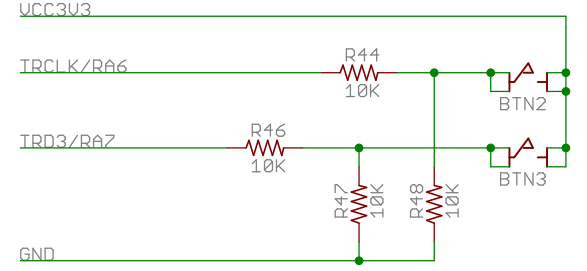
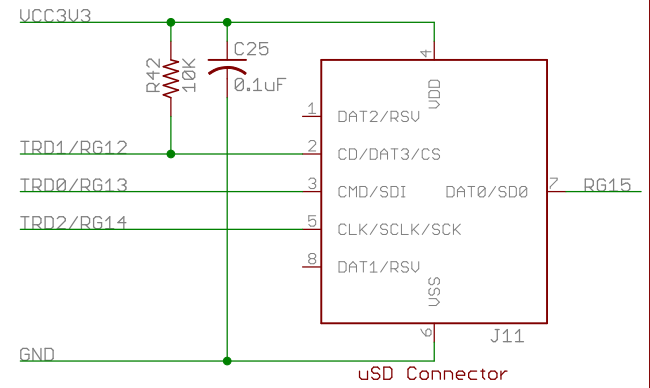
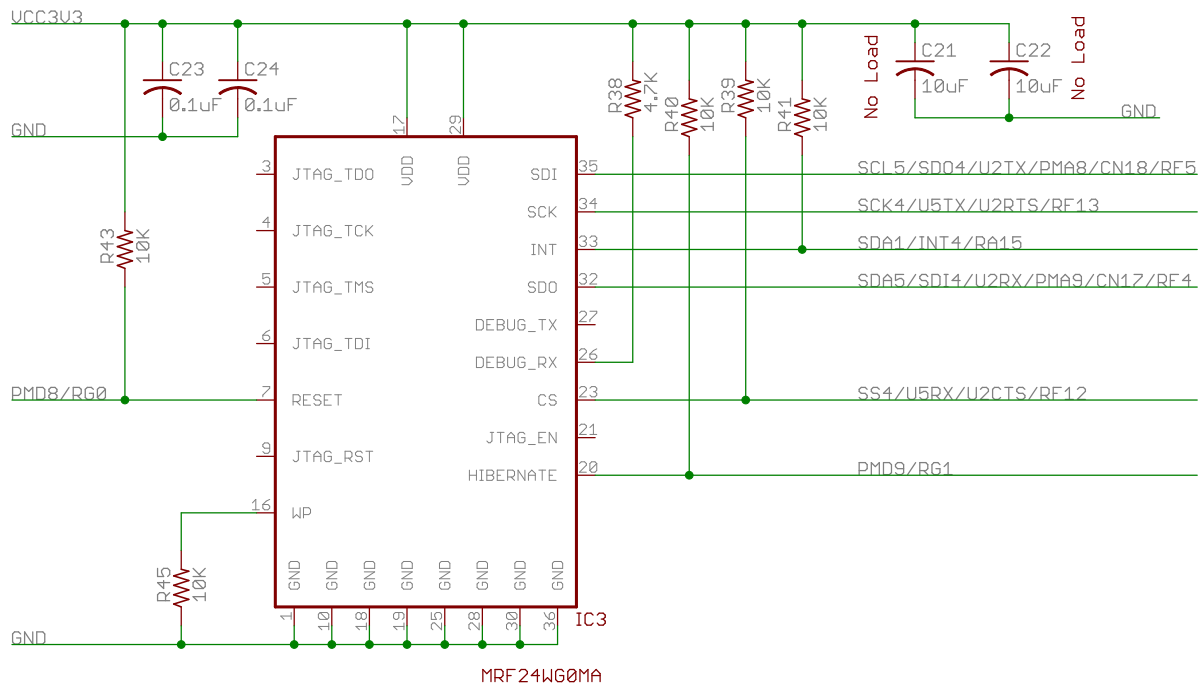
IC2PF

Port G	
C2RX/PMD8/RG0	90
C2TX/ETXERR/PMD9/RG1	89
D+/RG2	57
D-/RG3	56
ECOL/SCK2/U6TX/U3RTS/PMA5/CN8/RG6	10
ECRS/SDA4/SDI2/U3RX/PMA4/CN9/RG7	11
ERXDU/AERXDU/ECRS/SDU/AECRS/SDU/ SCL4/SD02/U3TX/PMA3/CN10/RG8	12
ERXCLK/AERXCLK/EREFCLK/AEREFCLK/ SS2/U6RX/U3CTS/PMA2/CN11/RG9	14
TRD1/RG12	96
TRD0/RG13	97
TRD2/RG14	95
AERXERR/RG15	1
RG15	1

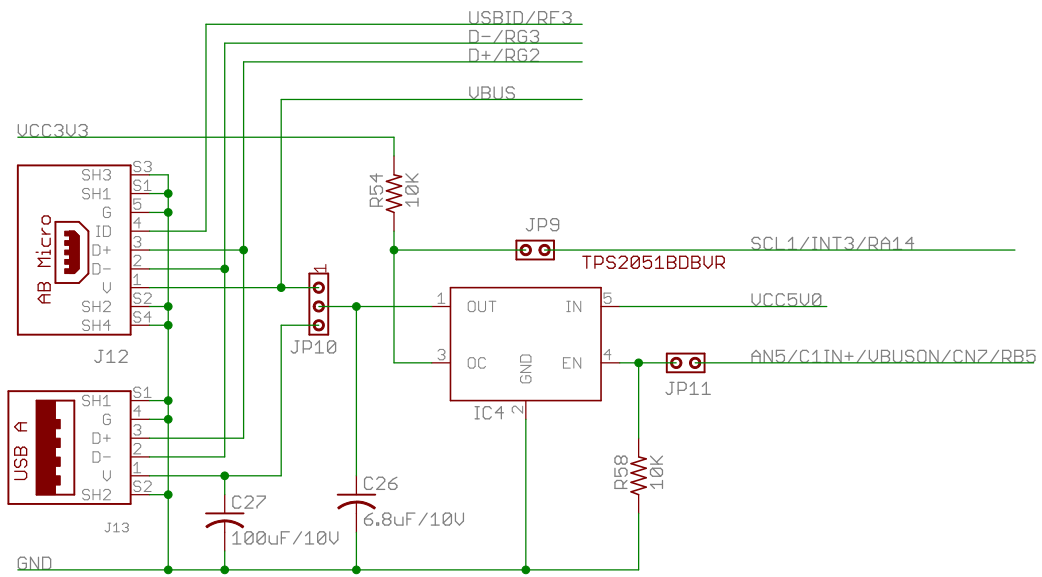
IC2PG

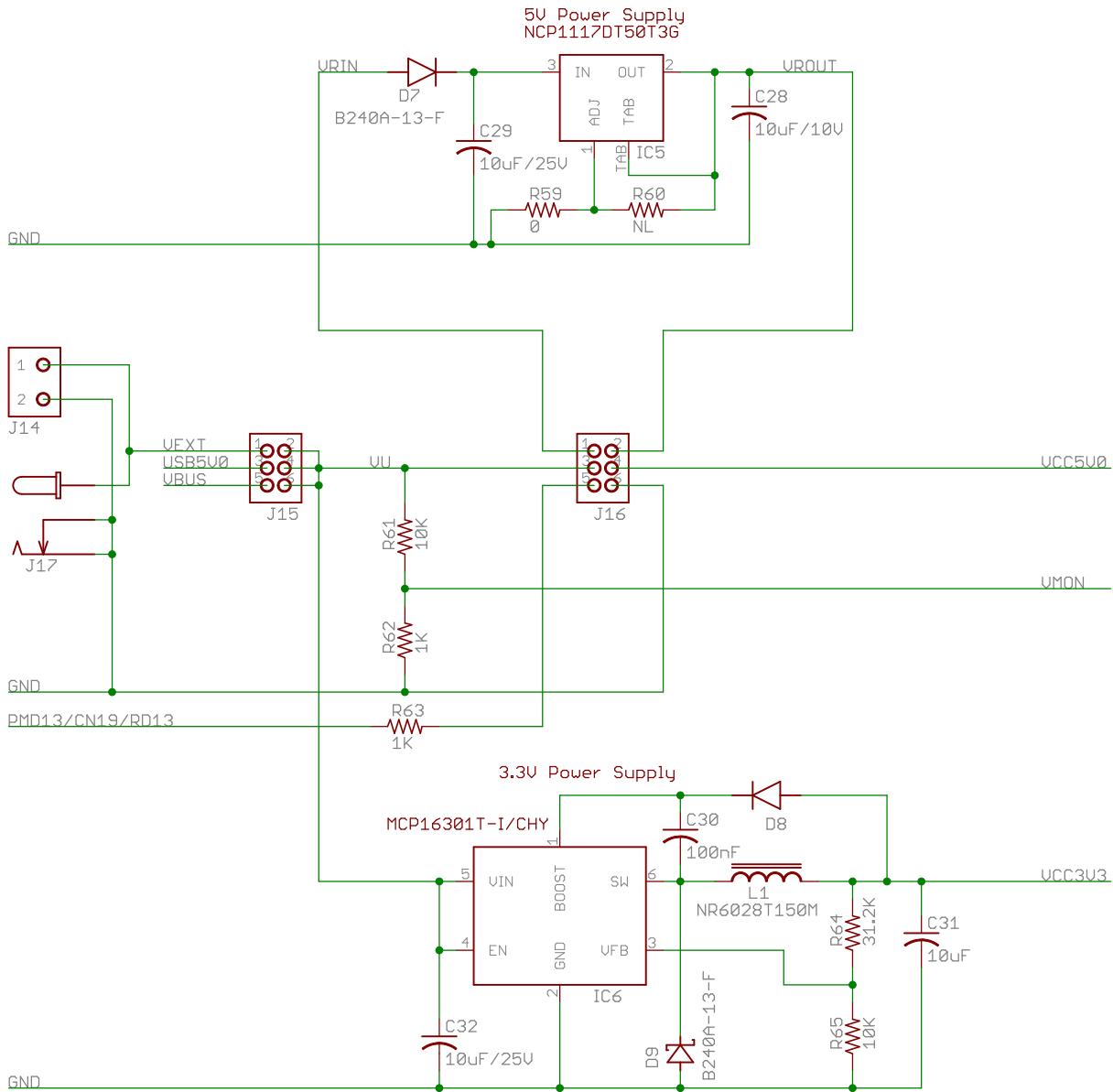


chipKIT WF32		Engineer: NEA
Copyright 2013, Digilent Inc.		Author: CLG
SHEET: PIC32 I/O		Rev: B.0
TITLE: chipKITWF32		Doc#: 500-273
Date: 03/26/2013		Sheet: 4/6



chipKIT WF32		Engineer: NEA
Copyright 2013, Digilent Inc.		Author: CLG
SHEET: WiFi, USB, SD Card		Rev: B.0
TITLE: chipKITWF32		Doc#: 500-273
Date: 03/26/2013		Sheet: 5/6





chipKIT WF32		Engineer: NEA
Copyright 2013, Digilent Inc.		Author: CLG
SHEET: Power Supplies		Rev: B.0
TITLE: chipKITWF32		Doc#: 500-273
Date: 03/26/2013	Sheet: 6/6	