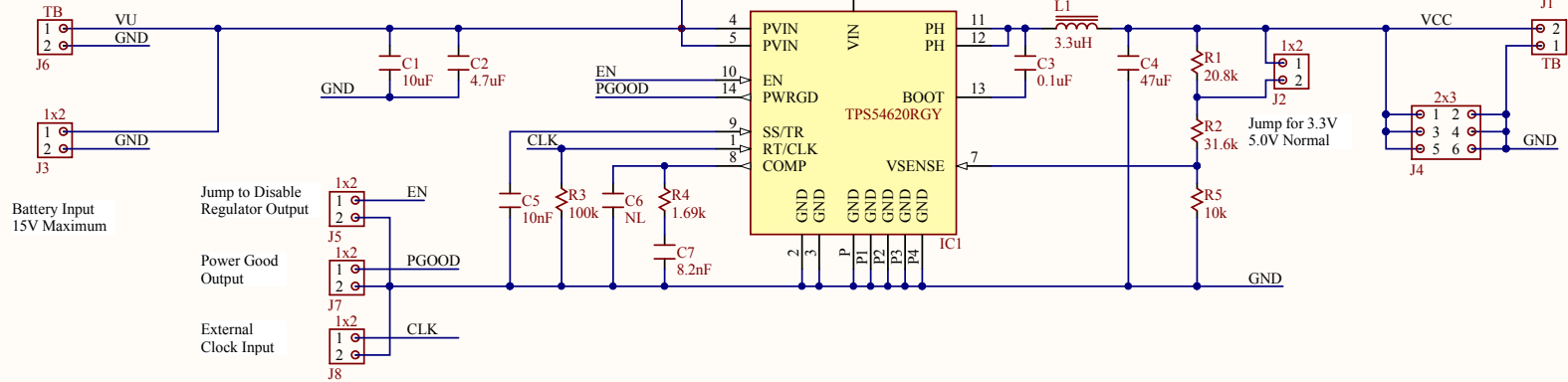


Screw Terminal Input
15V Maximum

Screw Terminal Output
5.0V or 3.3V at 6A



Title		VRM		Rev		B.0	
Circuit		The Circuit		Copyright		2015	
Doc#		500-156					
Engineer		NEA					
Author		GMA					
Date		10/26/2015					
Sheet#		1 out of 1					

